



C16-A/BM/CH/CHST/AEI/
MNG/MET/TT/IT/PCT-107

6005

BOARD DIPLOMA EXAMINATION, (C-16)

JUNE—2019

FIRST YEAR (COMMON) EXAMINATION

ENGINEERING DRAWING

Time : 3 Hours]

[Total Marks : 60

PART—A

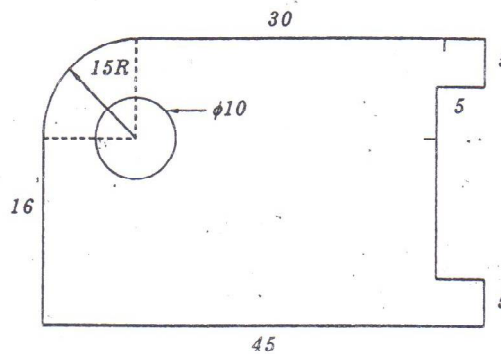
5×4=20

Instruction : (1) Answer **all** questions.

(2) Each question carries **Five** marks.

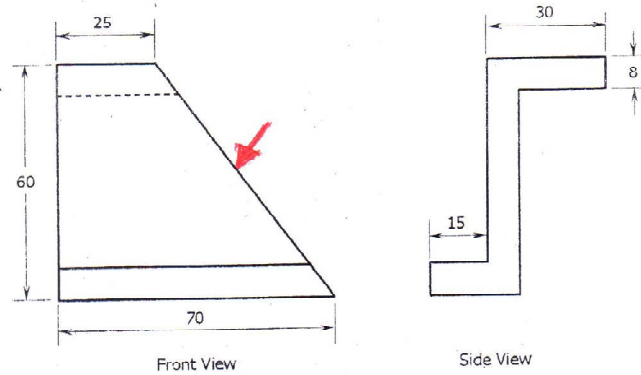
(3) All dimensions are in mm.

1. Write the following using single-stroke capital upright letters of 10mm size :
“AMARAVATHI - THE PEOPLES CAPITAL”
2. Redraw the following figure and dimension in aligned system :



3. Construct a regular hexagon of side 25 mm by any one method.

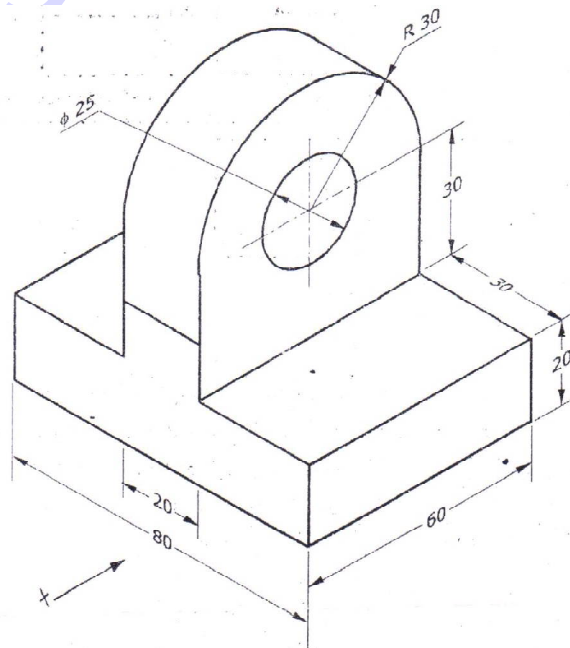
4. Draw the auxiliary view of the inclined surface of the given views.



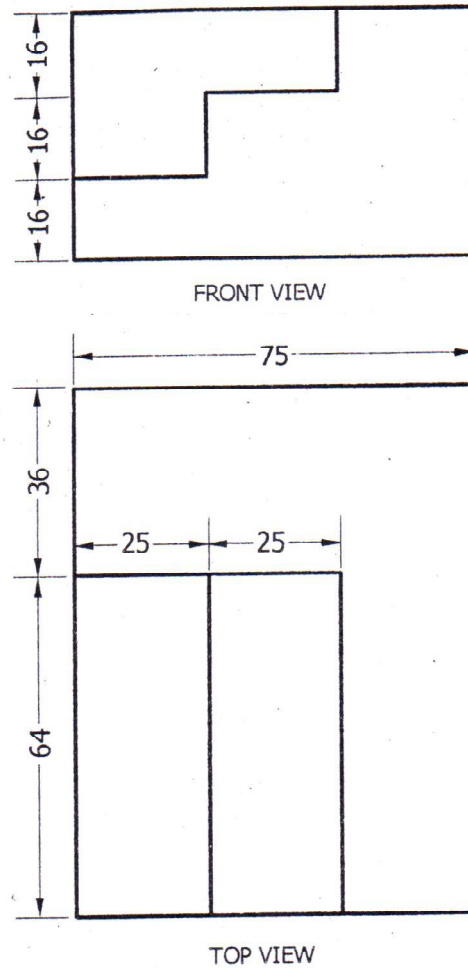
PART—B

10×4=40

- Instruction :**
- (1) Answer any **four** questions.
 - (2) Each question carries **Ten** marks.
 - (3) All dimensions are in mm.
5. Construct an ellipse of major axis 80 mm and minor axis 60mm by concentric circles method.
 6. Draw the projections of a cone, base 30mm diameter and axis 50mm long resting on HP on a point of its base circle with the axis making an angle of 45° with the HP and parallel to VP.
 7. An isometric view of an object is given below. Draw its front view, top view and right side view.



- * 8. A right circular cylinder of diameter 60 mm and height 75 mm rests on its base such that its axis is inclined at 45° to HP and parallel to VP. A cutting plane parallel to HP and perpendicular to VP cuts the axis at a distance of 50mm from the bottom face. Draw the front view and sectional top view.
9. Draw the isometric view of the object for the views given below :



- * 10. A hexagonal prism of base side 20 mm and height 50 mm is standing vertically on HP with one of its vertical faces parallel to VP. It is cut by a plane which is inclined at 45° to HP and passing through the left corner of the prism. Develop the lateral surface of the truncated prism.
