



C16-C-107/C16-CM-107

6020

BOARD DIPLOMA EXAMINATION, (C-16)

OCT/NOV—2018

DCE—FIRST YEAR EXAMINATION

ENGINEERING DRAWING

Time : 3 hours]

[Total Marks : 60

PART—A

4×5=20

Instructions : (1) Answer **all** questions.

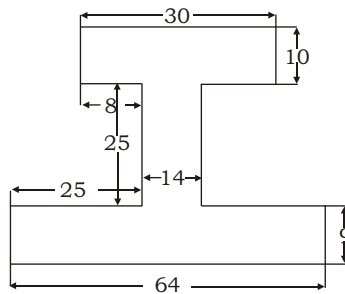
(2) Each question carries **five** marks.

(3) Answers should be brief and straight to the point and shall not exceed *five* simple sentences.

1. Print the following in single-stroke vertical lettering of 10 mm size in capital letters :

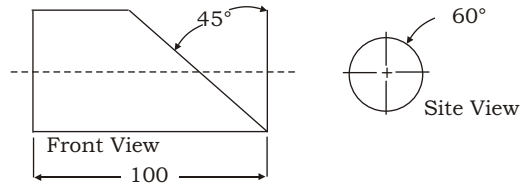
‘ENGINEERS MAKE THE WORLD’

2. Redraw the following figure to the full scale by correcting the errors in dimensioning as per SP-46 : 1988 :



*

3. Construct a hexagon of 40 mm side using general method.
4. Draw the auxiliary view of the sloping side of the object given below :



PART—B

10×4=40

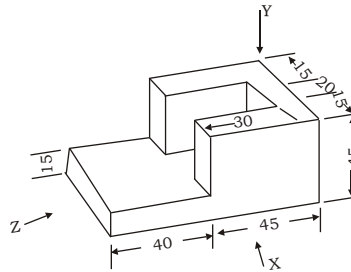
- Instructions :** (1) Answer *any four* questions.
(2) Each question carries **ten** marks.
(3) All dimensions are in mm.

5. Draw the involute on an equilateral triangle of side 30 mm.
6. A regular hexagon of 30 mm side has its one edge on HP. The surface of the plane is perpendicular to VP and inclined at 40° to HP. Draw the projections of the plane.
7. A pentagonal prism, 30 mm base side and 50 mm axis, is standing on HP on its base whose one side is perpendicular to VP. It is cut by a section plane inclined at 45° to HP, through midpoint of axis. Draw the front view and sectional top view.

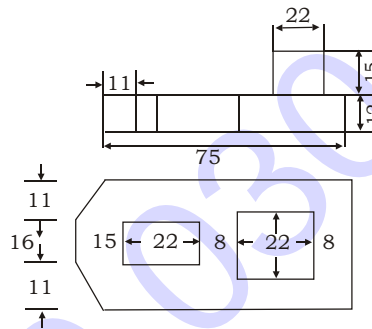
*

*

8. Draw the front view and top view of the following figure :



9. Draw the isometric views of the object whose orthographic views are given below :



10. A hexagonal prism of side 20 mm and axis 65 mm is resting with its base on HP. A cutting plane inclined at 30° to the HP perpendicular to VP and passing through the middle of the axis cuts the solid. Develop the lateral surface of the bottom portion.

*