



6247

BOARD DIPLOMA EXAMINATION, (C-16)

AUGUST/SEPTEMBER—2021

DME - THIRD SEMESTER EXAMINATION

MACHINE DRAWING

Time : 3 hours]

[Total Marks : 60

PART—A

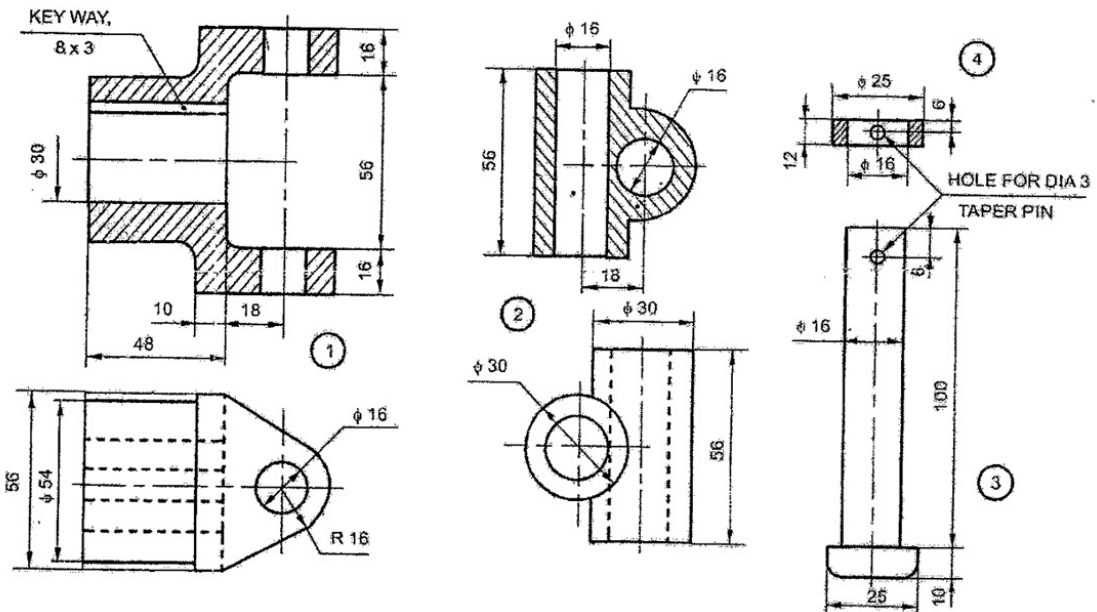
5×4=20

- Instructions :**
- (1) Answer **all** questions.
 - (2) Each question carries **five** marks.
 - (3) Answers should be neat and clear with **all** the necessary dimensions.
 - (4) **All** dimensions are in mm.

1. Sketch the following thread profiles with proportions :
 - (a) ACME thread
 - (b) Knuckle thread
2. Draw the Gib head key with proportions. Assume diameter of shaft as 40 mm.
3. Draw the following pipe fitting symbols(single line) :

(a) Plug	(b) Coupling
(c) Union	(d) Cap
(e) Check valve	
4. Draw the weld symbols for the following type of welds:
 - (a) Single V-butt weld
 - (b) Backing weld
 - (c) Single bevel butt weld
 - (d) Single J-butt weld
 - (e) Square butt weld

6. Assemble the parts of universal coupling as shown in the figure and draw the following views :
- (a) Sectional front view
 - (b) Left side view
 - (c) Top view



Parts List

No.	Name	Matl	Qty
1	Fork	MS	2
2	Centre Block	MS	1
3	Pin	MS	2
4	Collar	MS	2
