

*
6247**BOARD DIPLOMA EXAMINATION, (C-16)****JUNE-2019****DME - THIRD SEMESTER EXAMINATION****MACHINE DRAWING****TIME : 3 Hours****Total Marks : 60**

PART-A**5x4=20M**

- Instructions:** (1) Answer all questions.
(2) Each question carries five marks.
(3) All dimensions are in mm.
(4) Choose suitable scale.

1. Draw the profiles of
 - a) Buttress thread and b) ACME thread
 2. Show by means of neat sketches, the following rivet heads for rivets of diameter 20mm. indicate the standard proportions
 - (a) Flat head and (b) cone head
 3. Draw the single line symbols for the following pipe fittings;
 - a) Coupling b) Union c) Cross d) Cap e) Plug
 4. Show the welding symbols for the following types
 - (i) Double bevel butt weld (ii) Square butt weld
 - (iii) Single J butt weld (iv) Backing weld
 - (v) Concave fillet weld
- *
A.A.N.M & V.V.R.S.I. POLYTECHNIC, OUDLAVALLERU, KRISHNA DIST., A.P.
*

PART-B

1x40=40M

- Instructions:** (1) Answer any one question.
 (2) Each question carries forty marks.
 (3) All dimensions are in mm.
 (4) Choose suitable scale

5.) Fig1. Shows the details of Non-return valve . Assemble all the parts and draw the following views of the assembly at scale 1:2 .

- (a) Elevation – full in section. (20 M + 4 M for dimensioning)
 (b) Plan (10 M + 2 M for dimensioning)
 (c) Prepare material list (4 M)

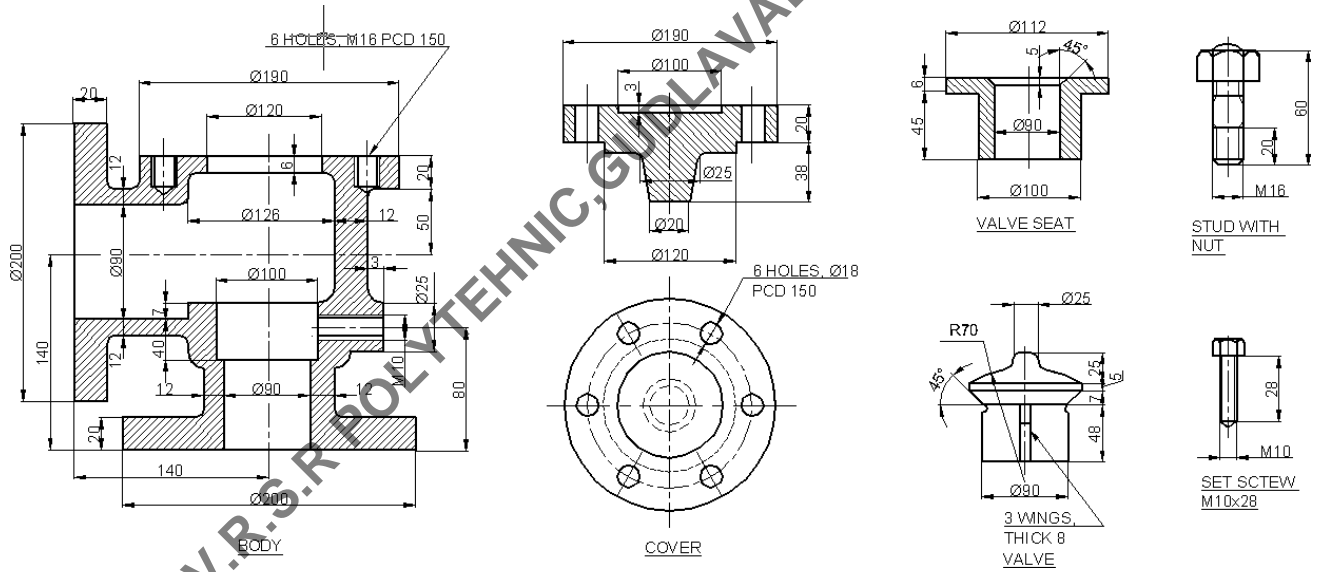


Fig.1 Parts of Non Return valve.

6) The parts of a Stuffing Box - 65 mm diameter shaft are given in Fig. 2. Assemble all the parts and draw the following views of the assembly to full scale.

- * (a) Elevation – full in section. (19 M + 5 M for dimensioning)
- (b) Plan. (9 M + 3 M for dimensioning)
- (c) Prepare material list (4 M)

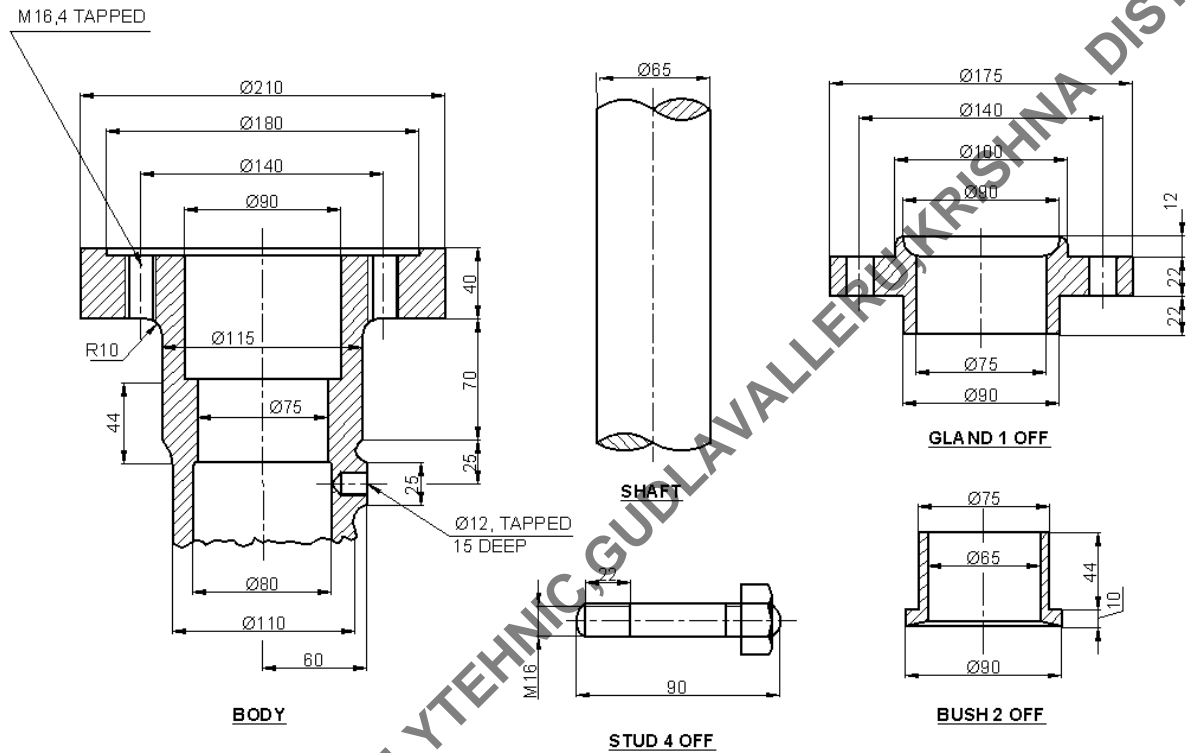


Fig.2 Stuffing Box parts