

6247

BOARD DIPLOMA EXAMINATION, (C-16)

MARCH /APRIL-2019

DME - THIRD SEMESTER EXAMINATION

MACHINE DRAWING

TIME : 3 Hours

Total Marks : 60

## PART-A

5x4=20M

**Instructions:** (1) Answer all questions.

(2) Each question carries five marks.

(3) All dimensions are in mm.

(4) Choose suitable scale.

1. Draw a neat sketch of Eye foundation bolt with proportions.
2. Sketch the application of the Feather key in two views when fitted in position between the shaft and hub. Choose the diameter of shaft as 30mm and hub 60mm
3. Show the weld symbols for the following:
  - a) Fillet weld
  - b) Spot weld
  - c) Stud weld
  - d) Seam weld
  - e) Plug weld.
4. Draw the single line symbols for the following pipe fittings;
  - a) Globe valve
  - b) Lateral
  - c) 90° elbow
  - d) Tee
  - e) Union

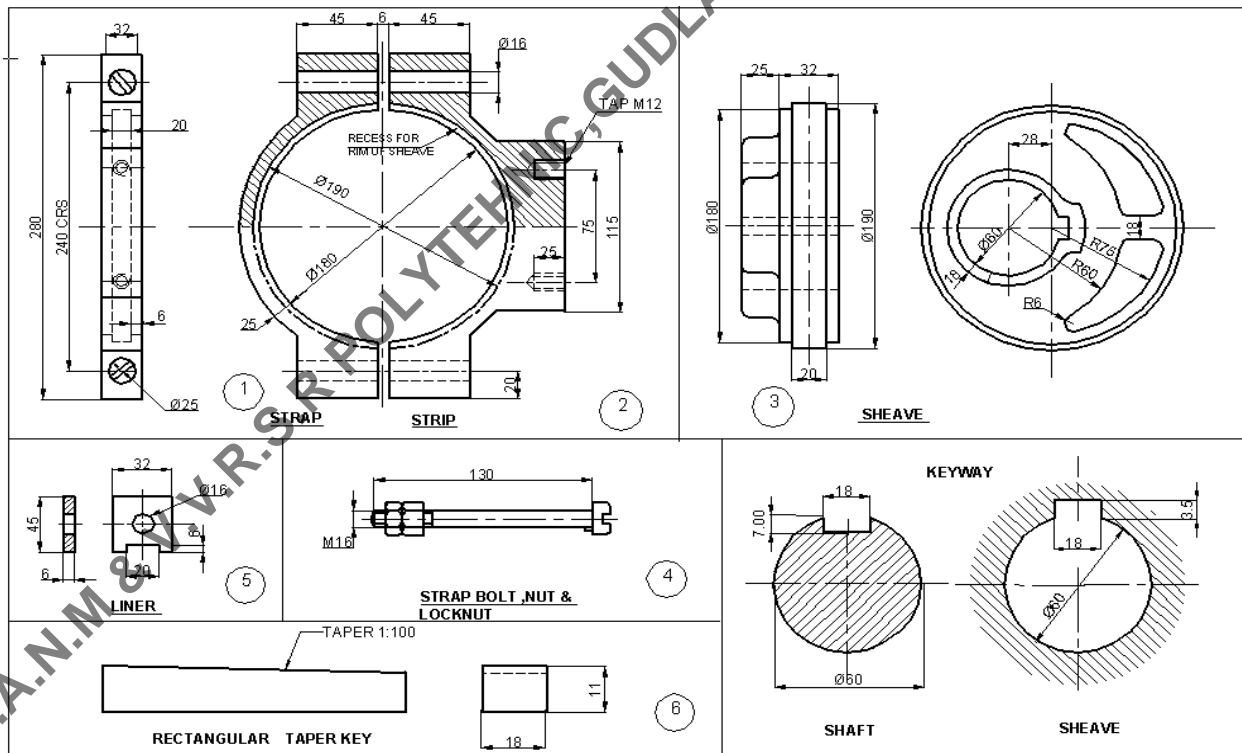
## PART-B

1x40=40M

- Instructions:**
- (1) Answer any one question.
  - (2) Each question carries forty marks.
  - (3) All dimensions are in mm.
  - (4) Choose suitable scale

5) Fig1. shows the details of Eccentric . Assemble all the parts and draw the following views of the assembly to full scale.

- (a) Elevation – full in section. (15M + 4M for dimensioning)
- (b) Plan ( 6M + 2M for dimensioning)
- (c) End view –full in section, seeing from the right. (7M + 2M for dimensioning)
- (d) Prepare material list (4 M)



**Fig.1 Eccentric Parts**

6) The parts of a Footstep bearing are given in Fig2. Assemble all the parts and draw the following views of the assembly to full scale.

- (a) Elevation – left half in section. (15M + 3M for dimensioning)
- (b) Plan (7M + 3M for dimensioning)
- (c) End view – seeing from the right. (7M + 2M for dimensioning)
- (d) Prepare material list (3 M)

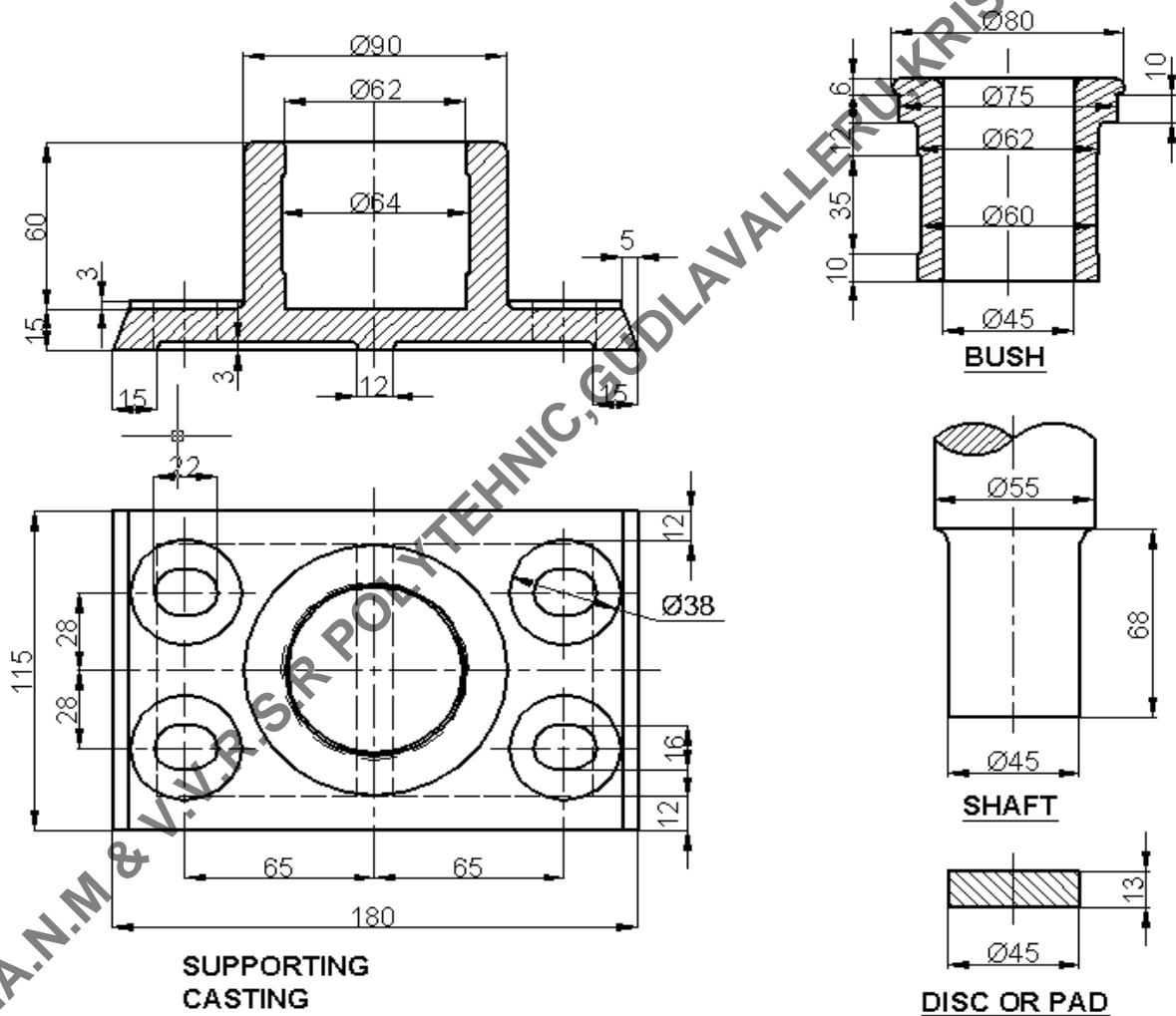


Fig.2 Parts of Footstep Bearing.