



C16-M-RAC-306

6247

BOARD DIPLOMA EXAMINATION, (C-16)

JUNE/JULY—2022

DME - THIRD SEMESTER EXAMINATION

MACHINE DRAWING

Time : 3 hours]

[Total Marks : 60

PART—A

- Instructions :**
- (1) Answer **all** questions.
 - (2) Each question carries **five** marks.
 - (3) Answers should be neat and clear with **all** the necessary dimensions.
 - (4) **All** dimensions are in mm.
-
1. Draw the hexagonal headed bolt with a nut and a washer in position, taking nominal diameter is 20 mm and length 80 mm. $5 \times 1 = 5$
 2. Draw the following rivet heads with suitable proportions : $2\frac{1}{2} + 2\frac{1}{2} = 5$
 - (a) Snap head
 - (b) Cone head
 3. Draw the following weld symbols : $1 \times 5 = 5$
 - (a) Single butt weld
 - (b) Fillet weld
 - (c) Spot weld
 - (d) Seam weld
 - (e) Flat single V-butt weld
 - * 4. Draw the symbols for the following pipe fittings (single line) : $1 \times 5 = 5$
 - (a) Coupling
 - (b) Cap
 - (c) Tee
 - (d) 40° Elbow
 - (e) Check valve

PART—B

- Instructions :**
- (1) Answer *any one* question.
 - (2) Each question carries **forty** marks.
 - (3) **All** dimensions are in mm.
 - (4) Choose suitable scale.
 - (5) Assume missing dimensions suitably.

5. Figure shows the details of tool post. Assemble all the parts and draw the following views of the assembly to full scale :

- | | |
|---------------------------|---------|
| (a) Front view | 18+5=23 |
| (b) Top view | 10+3=13 |
| (c) Prepare material list | 4 |

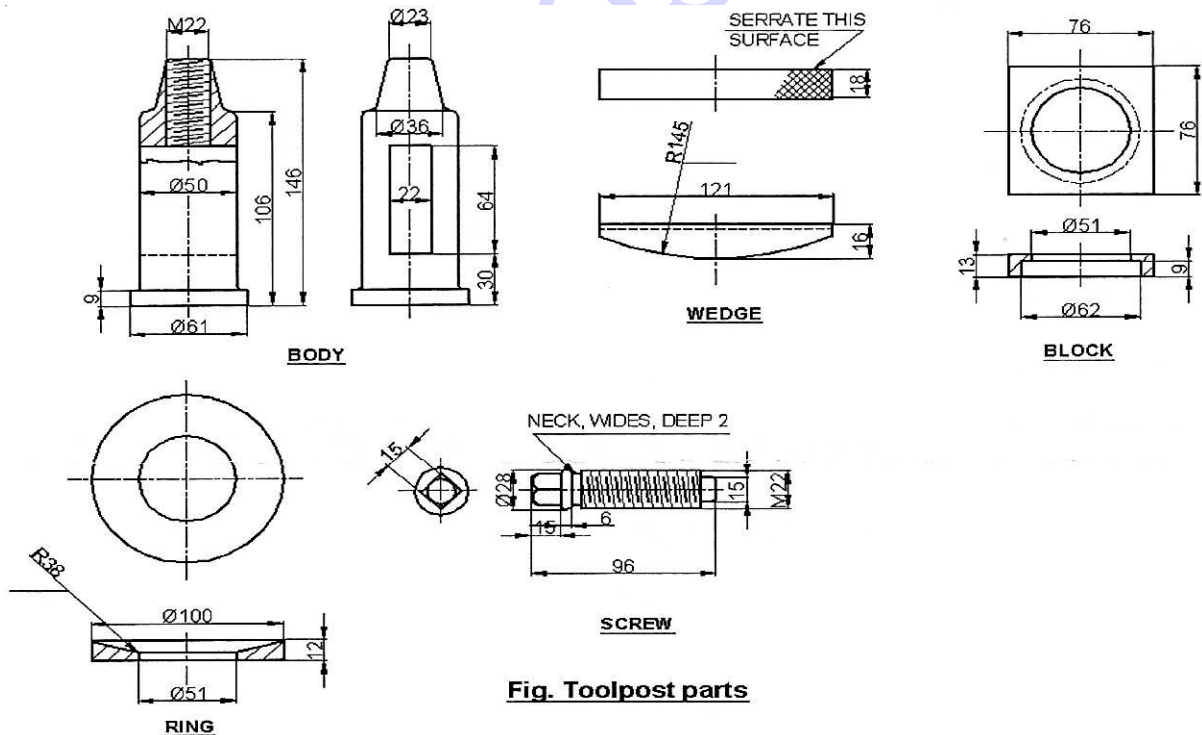


Fig. Toolpost parts

6. Figure shows details of a Stuffing Box 65 mm diameter shaft. Assemble all the parts and draw the following views of the assembly to full scale :

- | | |
|---------------------------|---------|
| (a) Front view | 18+5=23 |
| (b) Top view | 10+3=13 |
| (c) Prepare material list | 4 |

