



C16-M-306

6247

BOARD DIPLOMA EXAMINATION, (C-16)

OCT/NOV—2017

DME—THIRD SEMESTER EXAMINATION

MACHINE DRAWING

Time : 3 hours]

[Total Marks : 80

PART—A

5×4=20

Instructions : (1) Answer **all** questions.

(2) Each question carries **five** marks.

(3) All dimensions are in mm.

(4) Choose suitable scale

1. Draw the following screw thread profiles with standard proportions :

(a) Squard thread

(b) Buttress thread

2. Draw two views of a hexagonal headed bolt.

3. Draw the single line symbols for the following pipe fittings :

(a) Cap

(b) Tee

(c) 90° elbow

(d) Reducer

(e) Gate valve

4. Draw the following weld symbols :

(a) Single V-butt weld

(b) Single bevel butt weld with broad root face

(c) Backing weld

(d) Spot weld

(e) Convex double v-butt weld.

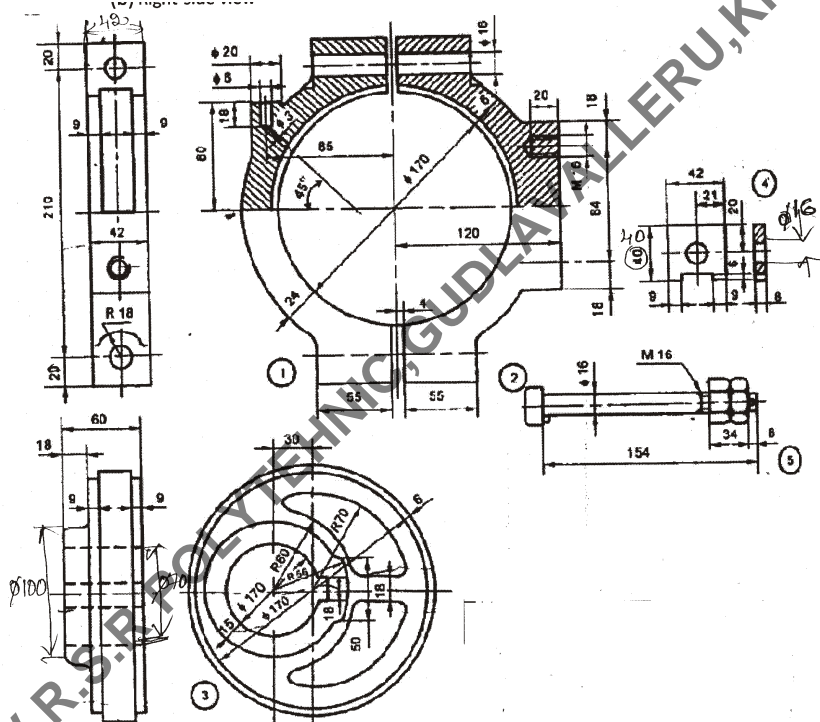
5

PART—B

1×40=40

- Instructions :** (1) Answer *any one* questions.
 (2) Each question carries **forty** marks.
 (3) All dimensions are in mm.
 (4) Choose suitable scale

- 5.** Study the given part drawings of eccentric. Assemble the parts and draw the following : 25+15=40
 (a) Half-sectional front view
 (b) Right-side view



Number	Name	Material	Quantity
1	Strap	C1	1
2	Strap	C1	1
3	Sheave	C1	1
4	Shim	BRASS	2
5	Bolts with nuts	MS	2

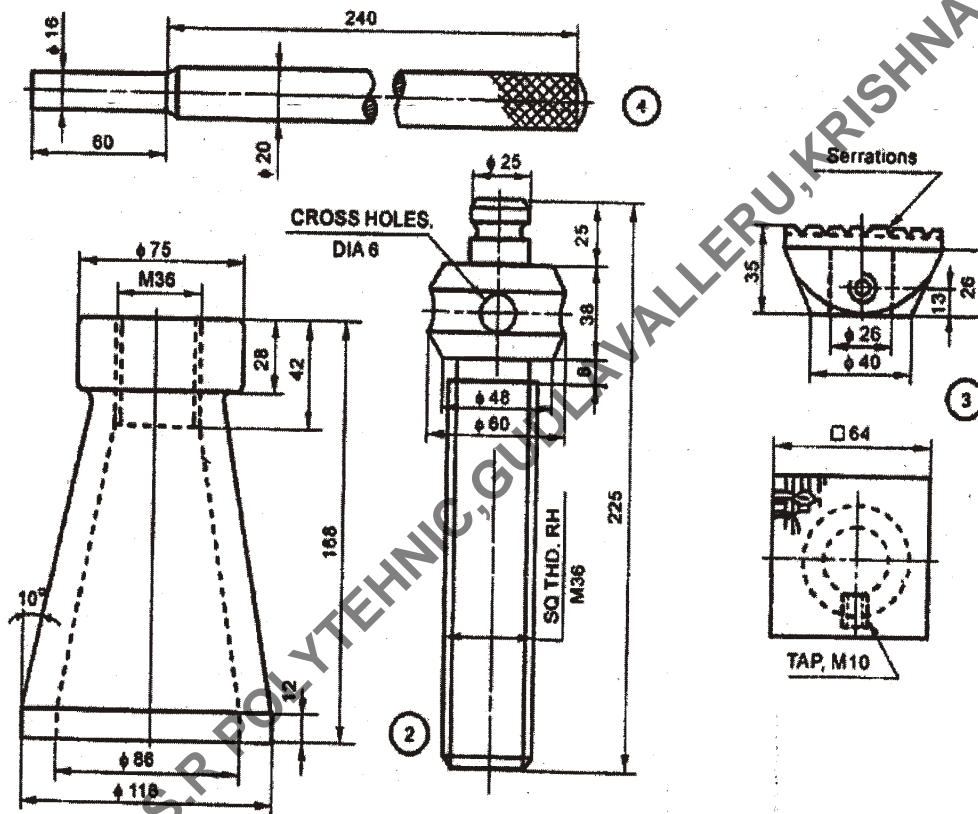
6. Assemble the parts of eccentric and draw the following view :

25+15=40

(a) Half sectional front view

(b) Right side view

(c) Dimensioning



Parts List

Number	Name	Material	Quantity
1	Body	C1	1
2	Screw	MS	1
3	Cup	C1	1
4	Tommy bar	MS	1
