



C16-M/CHOT/RAC-107

6055

BOARD DIPLOMA EXAMINATION, (C-16)

OCTOBER—2020

DME—FIRST YEAR EXAMINATION

ENGINEERING DRAWING

Time : 3 hours]

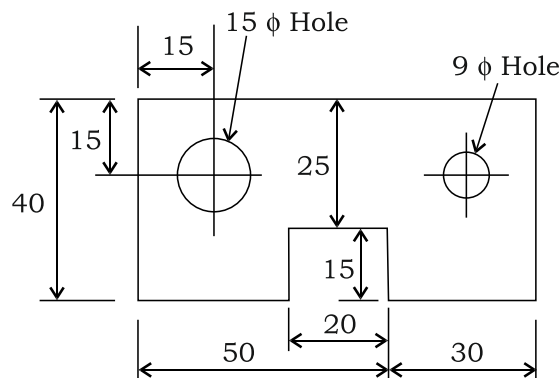
[Total Marks : 60

PART—A

5×4=20

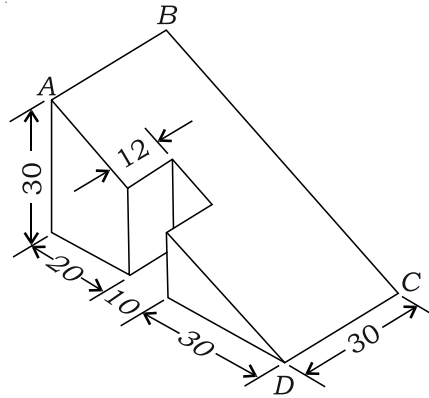
- Instructions :** (1) Answer **all** questions.
(2) Each question carries **five** marks.
(3) All dimensions are in mm.

1. Print in capital letters of size 10 mm in the following sentence :
“DEPARTMENT OF TECHNICAL EDUCATION”
2. Grasp the component and its dimensions shown in below figure and redraw it to be full scale adopting the recommendations of SP-46 : 1988.



3. Draw a pentagon of side 30 mm.

- * 4. Draw the auxiliary view of the sloping surface of the object as shown in below figure.



PART—B

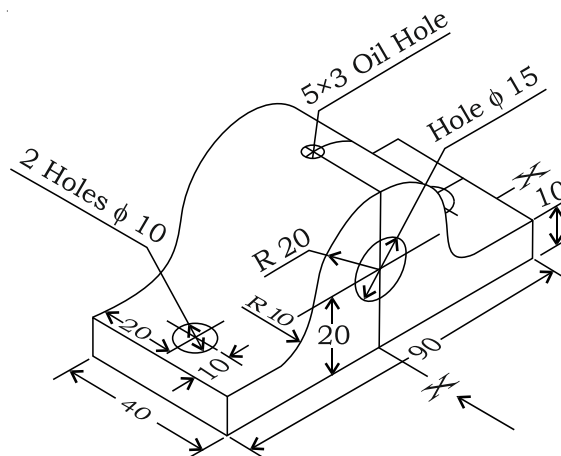
10×4=40

Instructions : (1) Answer *any four* questions.

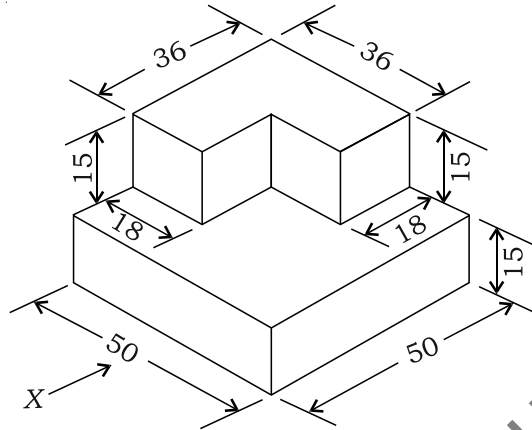
(2) Each question carries **ten** marks.

(3) All dimensions are in mm.

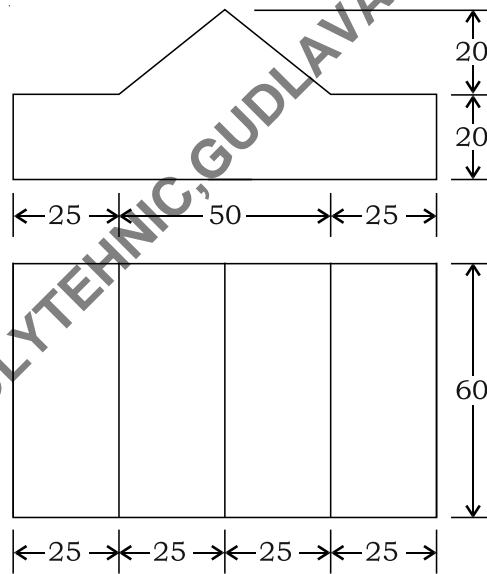
5. Draw a helix of pitch 60 mm on a cylinder of diameter 50 mm.
6. A hexagonal pyramid side of base 30 mm and height 60 mm rests with its base on HP such that one of the edges is parallel to and 10 mm in front of VP. Draw its projections.
7. Draw sectional front view and top view for the object shown below.



- * 8. Draw the orthographic views of front view and top view of the object given below.



9. Draw the isometric view of the block whose orthographic projections are given below to full size scale.



- * 10. A square pyramid of side of base 40 mm and height 60 mm is standing vertically on its base with one of the base edges parallel to V.P. It is cut by a horizontal plane at a height of 30 mm from base. Develop lateral surface of the frustum.
