



C16-M/CHOT/RAC-107

6055

BOARD DIPLOMA EXAMINATION, (C-16)

MARCH/APRIL—2018

DME—FIRST YEAR EXAMINATION

ENGINEERING DRAWING

Time : 3 hours ]

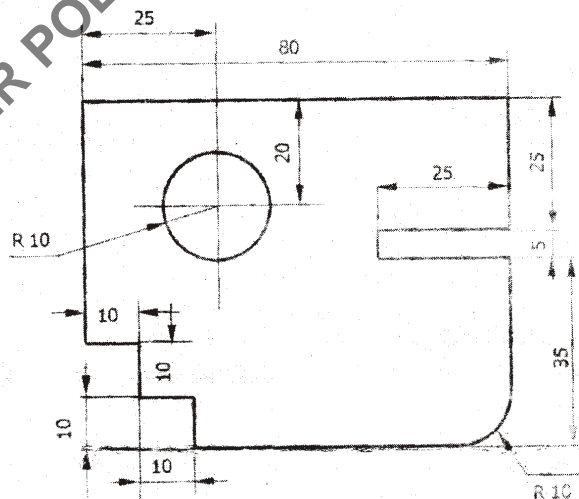
Total Marks : 60

PART—A

5×4=20

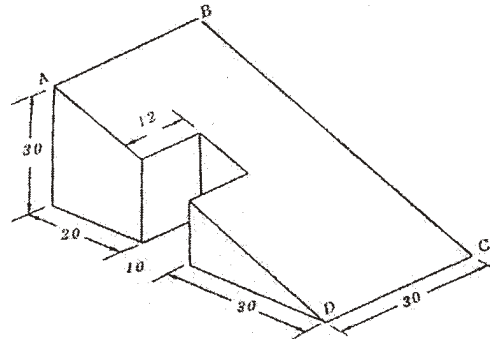
- Instructions** : (1) Answer **all** questions.  
(2) Each question carries **five** marks.  
(3) All dimensions are in mm.

1. Write the following in single-stroke inclined lowercase letters :  
“COMMISSIONER OF TECHNICAL EDUCATION”
2. Redraw the following figure to full scale by correcting the errors in dimensioning as per SP-46 : 1988 :



3. Draw a parabola whose base is 80 mm and height 70 mm by oblong method.

- \* 4. Draw the auxiliary view of the inclined surface for the views given in the figure below :

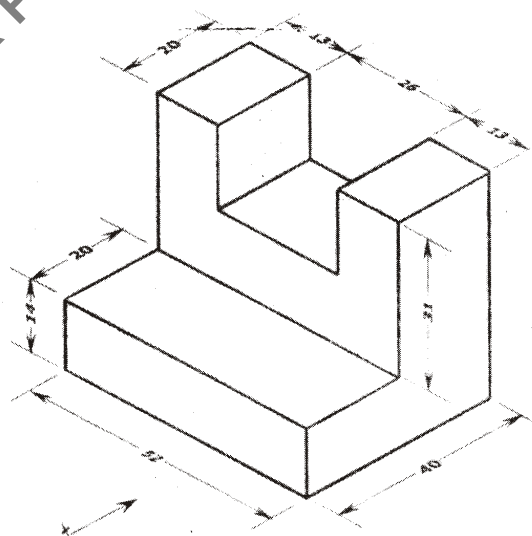


**PART—B**

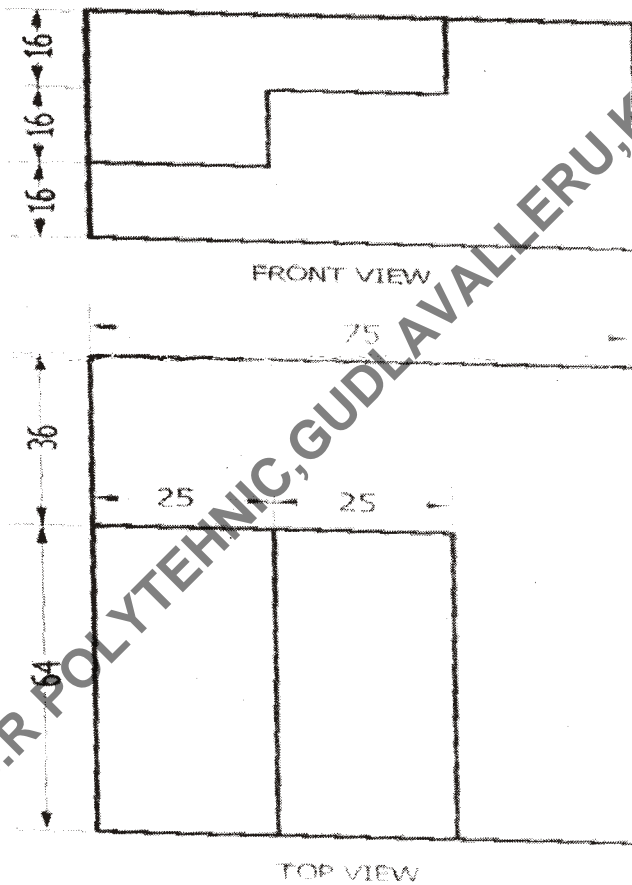
10×4=40

- Instructions :** (1) Answer *any four* questions.  
 (2) Each question carries **ten** marks.  
 (3) All dimensions are in mm.

5. Construct a cycloid of circle of radius 30 mm.
6. A hexagonal pyramid with base of side 30 mm and height 60 mm lies with one of its triangular faces on HP and its axis is parallel to VP. Draw its projections.
7. Draw the front view, side view and top view of the following figure :



- \* 8. A square pyramid with base 50 mm side and axis 80 mm long is resting on the ground with its axis vertical and sides of the base equally inclined to the vertical plane. It is cut by a section plane perpendicular to VP inclined at  $45^\circ$  to HP and bisecting the axis. Draw its sectional top view and true shape of the section.
9. Draw the isometric view of the object whose orthographic views are given below :



- \* 10. A pentagonal prism of side 25 mm and axis 75 mm is resting with its base on ground. A cutting plane inclined at  $30^\circ$  to the HP and passing through mid height of the axis cuts the solid. Develop the lateral surface of the bottom portion of the prism.

\*\*\*