

4255
BOARD DIPLOMA EXAMINATION, (C-14)
JUNE-2019
DME -THIRD SEMESTER EXAMINATION
MACHINE DRAWING PRACTICE

Time: 3Hrs

Max.Marks: 60

PART - A

4x5=20M**Instructions:**

- 1) Answer **all** the questions.
- 2) Each question carries **five** marks
- 3) All dimensions are to be in given in mm.

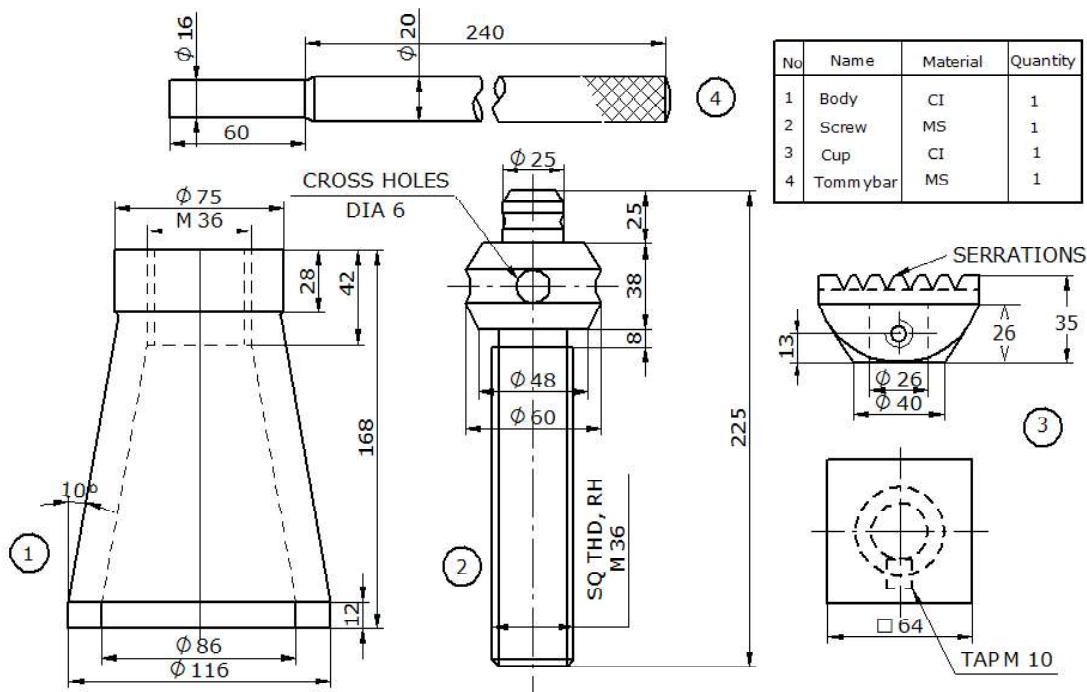
- 1) Draw the front view of an Eye bolt with 20mm diameter.
- 2) Draw the front and top view of a double riveted zig-zig lap joint. The thickness of plates to be joined is 9mm.
- 3) Draw the following Weld symbols.
 - a) Convex double-V butt weld.
 - b) Single bevel butt weld
 - c) Flat weld
 - b) Single U butt weld
 - e) Single V butt weld
- 4) Draw the following pipe fitting symbols (single line)
 - a) Coupling
 - b) Check valve
 - c) Cap

[Contd..

PART - B

1x40=40

- Instructions:** 1) Answer any **one** question and each question carries forty marks.
 2) All dimensions are given in mm and choose suitable scale.
 3) Assume missing dimensions suitably.
- 5) Draw the front and top view of Screw jack in assembly, the details of which are given below.



- 6) Draw the front and top view of Stuffing box in assembly, the details which are given below.

