

*
4255

BOARD DIPLOMA EXAMINATION, (C-14)

MARCH /APRIL-2019

DME -THIRD SEMESTER EXAMINATION

MACHINE DRAWING PRACTICE

Time: 3 hours

Max. Marks: 60

PART-A

4x5=20M

Instructions: 1) Answer **all** questions and each question carries **5** marks.
2) All dimensions are to be in given in mm.

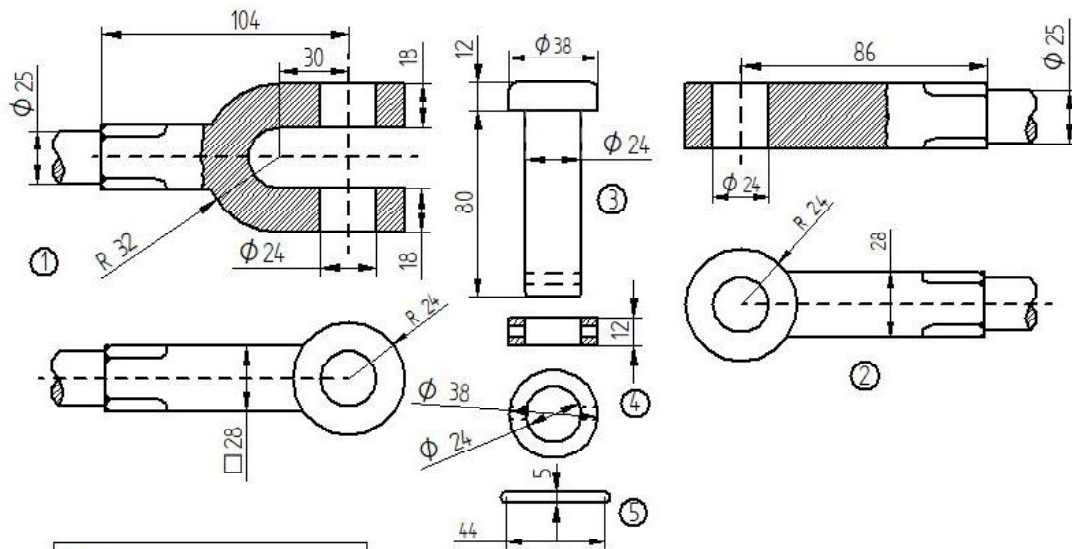
1. Draw a M20 hexagonal bolt with a nut and washer in position.
2. Draw the following with their proportions (diameter of shaft=20mm)
 - (a) Flat saddle key
 - (b) Single headed feather key. 2½+2½=5M
3. Draw the following Weld symbols
 - (a) Single V butt weld
 - (b) Flat single-V butt weld
 - (c) Back weld
 - (d) Concave weld
 - (e) Plug weld
4. Draw the following pipe fitting symbols (single line)
 - (a) Union
 - (b) Tee
 - (c) 90° elbow
 - (d) Reducer
 - (e) Gate valve

PART-B

* **1x40=40M**

- Instructions:**
- i) Answer any **one** question and each carries **Forty** marks.
 - ii) All dimensions are given in mm and choose suitable scale.
 - iii) Assume missing dimensions suitably.

5. Draw the front and top view of the knuckle joint in assembly, the details of which are given below. 20+20=40M



Parts list			
No	Name	Matl	Qty
1	Fork end	MS	1
2	Eye end	MS	1
3	Pin	MS	1
4	Collar	MS	1
5	Taper pin	MS	1

030

