



C14-M-307

4255

BOARD DIPLOMA EXAMINATION, (C-14)

MARCH/APRIL—2018

DME—THIRD SEMESTER EXAMINATION

MACHINE DRAWING PRACTICE

Time : 3 hours]

[Total Marks : 60

PART—A

5×4=20

- Instructions** : (1) Answer **all** questions.
(2) Each question carries **five** marks.
(3) All dimensions are in mm.

1. A cheese head bolt is of diameter 20 mm and length 80 mm. Draw the elevation with full length of threads.
2. Draw the following forms of nuts with standard proportions. Nominal diameter of the nut is 10 mm :
 - (a) Cap nut
 - (b) Wing nut
3. Draw the single-line symbols for the following pipe fittings :
 - (a) Cross
 - (b) Union
 - (c) Gate valve
 - (d) Check valve
 - (e) Plug
4. Draw the welded symbols for the following type welds :
 - (a) Spot weld
 - (b) Fillet weld
 - (c) Seam weld
 - (d) Square butt weld
 - (e) Plug weld

- Instructions :** (1) Answer *any one* question.
 (2) Each question carries **forty** marks.
 (3) All dimensions are in mm.
 (4) Assume suitable dimensions if not given in part drawings.

5. Figure 1 shows details of knuckle joint. Assemble all the parts and draw the following views of the assembly at full size :
- (a) Elevation—upper half in section (15+4 for dimensioning)
 - (b) Plan—full in section (7+2 for dimensioning)
 - (c) End view—seeing from the left (7+2 for dimensioning)
 - (d) Prepare material list (3)

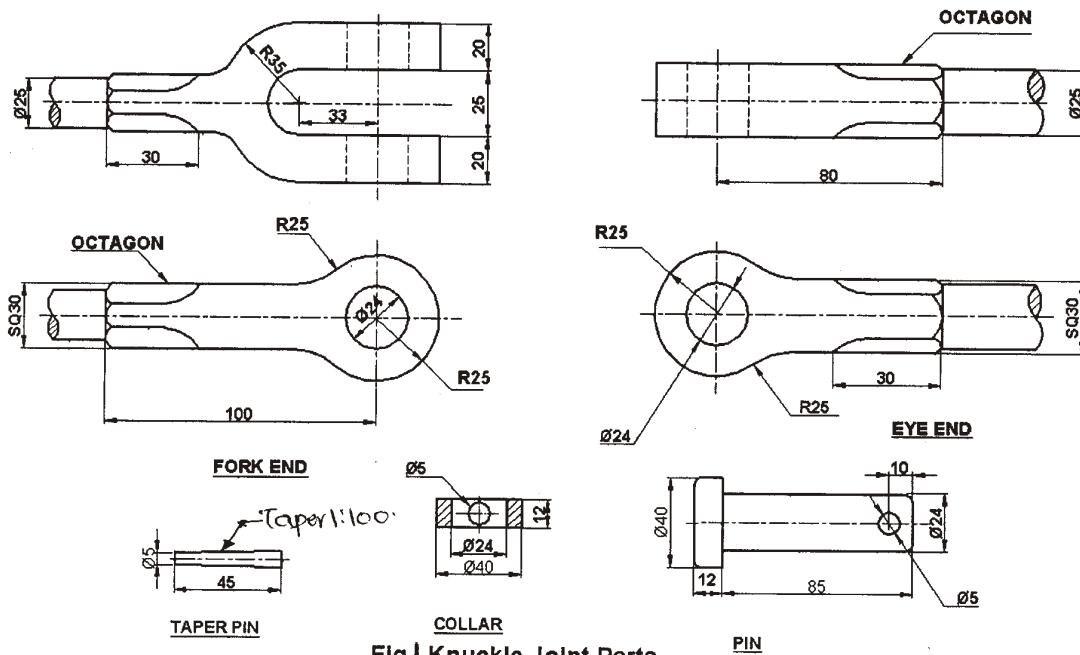


Fig.1 Knuckle Joint Parts

6. Figure 2 shows (Page No. 3) details of a drill jig. Assemble all the parts and draw the following views of the assembly at full scale :
- (a) Elevation—full in section (19+5 for dimensioning)
 - (b) Plan (9+3 for dimensioning)
 - (c) Prepare material list (4)

ANNEXURE

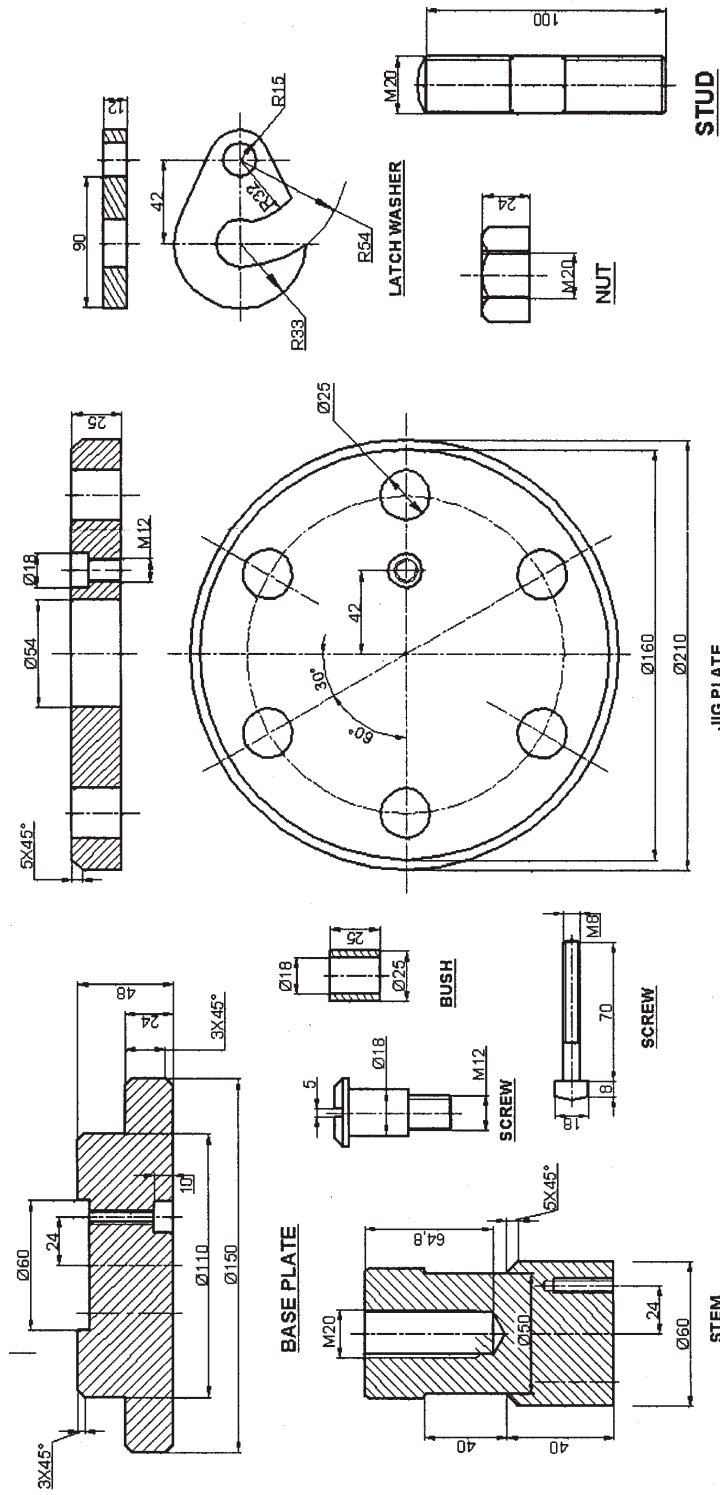


Fig. Drill Jig parts