

\*



C14-M/RAC-307

4255

BOARD DIPLOMA EXAMINATION, (C-14)  
MARCH/APRIL—2021  
DME - THIRD SEMESTER EXAMINATION  
MACHINE DRAWING PRACTICE

Time : 3 hours ]

[ Total Marks : 60

**PART—A**

10×2=20

- Instructions :**
- (1) Answer *any two* questions.
  - (2) Each question carries **ten** marks.
  - (3) All dimensions are in mm. Use Standard data.
- 
1. Draw the two views of hexagonal headed bolt.
  2. Draw the two views of single riveted lap joint.
  3. Draw the single line symbols for the following pipe fittings :
    - (a) Reducer
    - (b) Tee
    - (c) Plug
    - (d) Elbow
    - (e) Gate valve
  4. Show the welding symbols for the following types :
    - (a) Weld all round
    - (b) Grinding Finish
    - (c) Chipping Finish
    - (d) Spot weld
    - (e) Bead weld

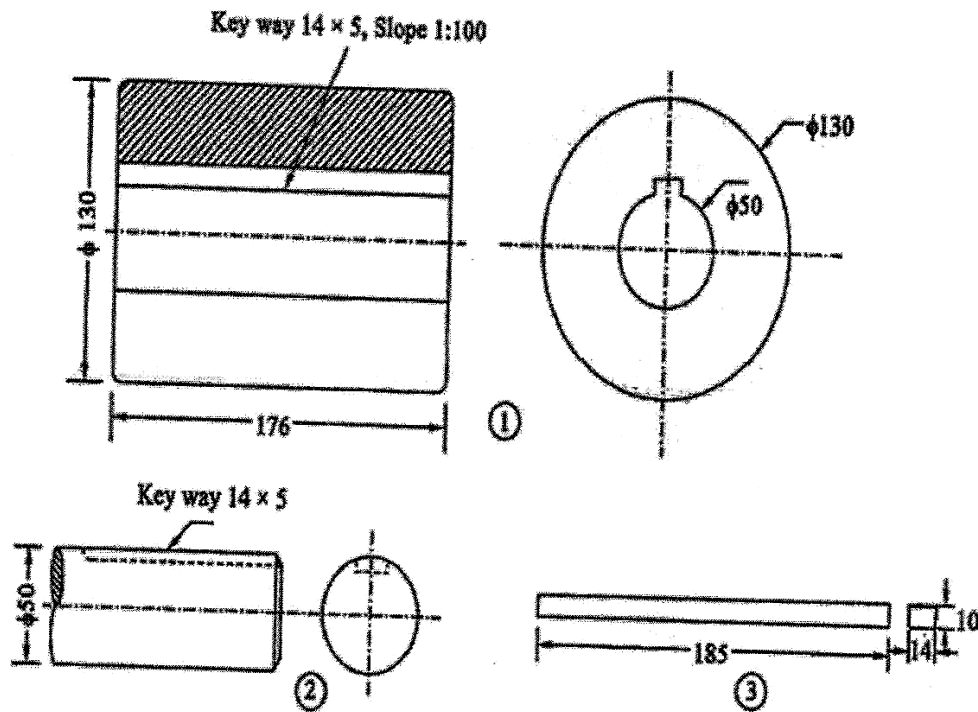
\*

**PART—B**

40×1=40

- Instructions :** (1) Answer *any one* question.  
 (2) Each question carries **forty** marks.  
 (3) All dimensions are in mm. Use standard data.  
 (4) Use missing data suitably, if any.

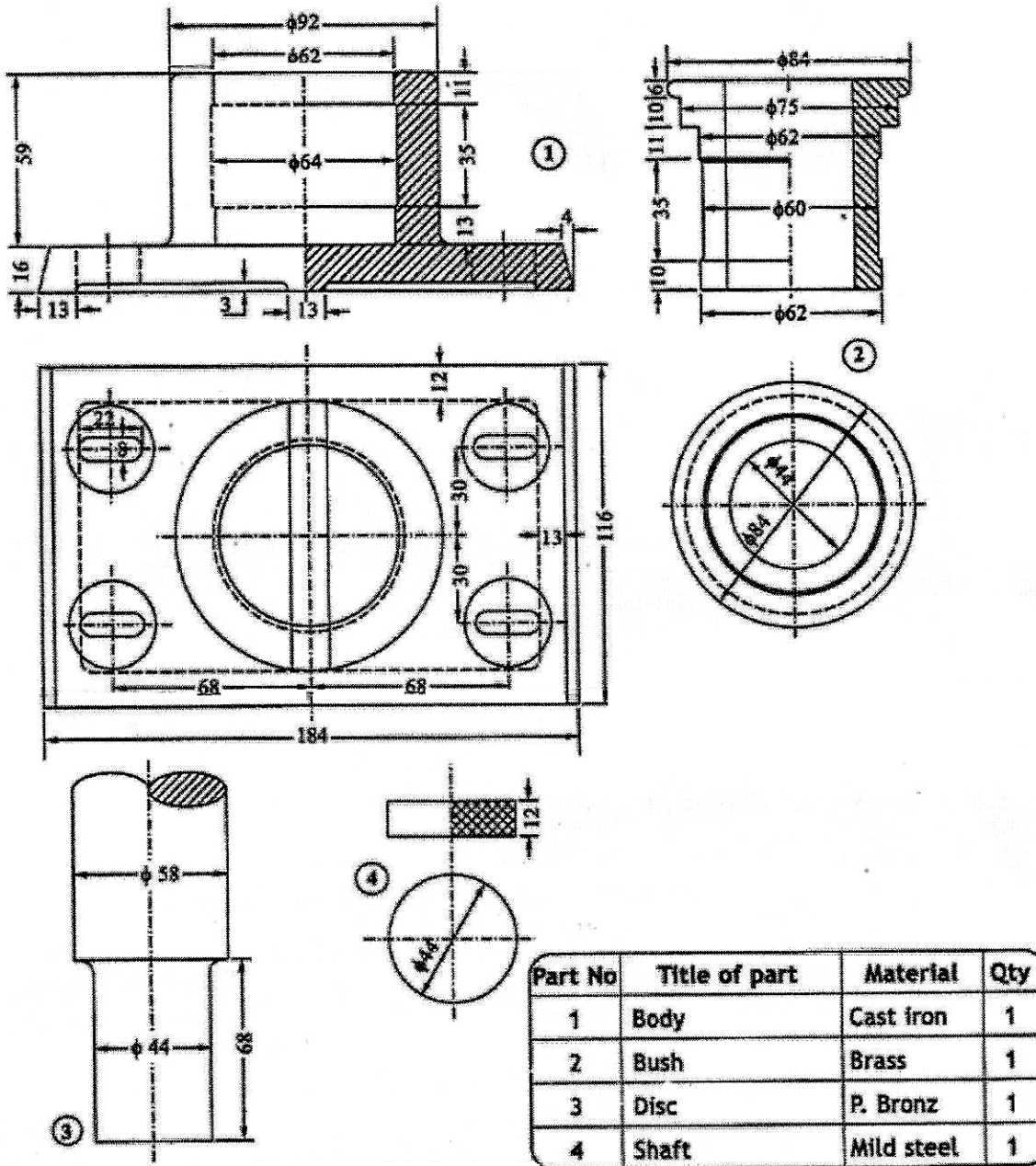
5. Assemble together the parts of the *Solid muff coupling* shown in the figure and draw its following views (i) Sectional front view  
 (ii) Left side view. 20+10+10=40



Part no	Name	Material	Qty
1	Muff of sleeve	CI	1
2	Shaft	MS	2
3	Key	MS	1

6. Assemble together the parts of the *Foot step bearing* shown in the figure and draw its following views (i) Sectional front view  
(ii) Top view.

20+10+10=40



★ ★ ★