



C14-M-307

4255

BOARD DIPLOMA EXAMINATION, (C-14)

SEPTEMBER/OCTOBER - 2020

DME—THIRD SEMESTER EXAMINATION

MACHINE DRAWING PRACTICE

Time : 3 hours]

[Total Marks : 60

PART—A

5×4=20

- Instructions :** (1) Answer **all** questions.
(2) Each question carries **five** marks.
(3) All dimensions are in mm.

1. Draw the following thread profiles with proportions : 5
 - (a) Knuckle thread
 - (b) Metric thread

2. Draw two views of double-riveted chain lap joint. 5

3. Draw the single-line symbols for the following pipe fittings : 1×5=5
 - (a) Plug
 - (b) 90° elbow
 - (c) Union
 - (d) Lateral
 - (e) Globe valve

4. Draw the symbols of the following welded joints : 1×5=5
 - (a) Double-bevel butt weld
 - (b) Double V-butt weld
 - (c) Square butt weld
 - (d) Spot weld
 - (e) Seam weld

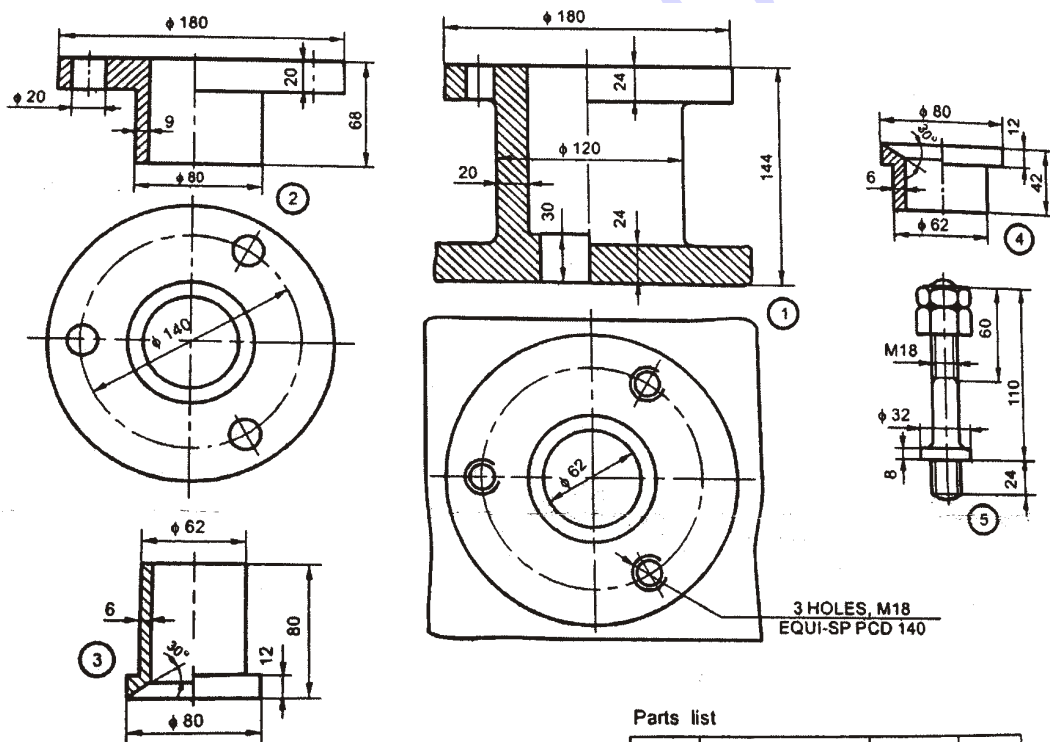
PART—B

40

- Instructions :** (1) Answer *any one* question.
 (2) Each question carries **forty** marks.
 (3) All dimensions are in mm.
 (4) Assume suitable dimensions if not given in part drawings.

5. The details of Stuffing Box parts are shown in the figure below. Assemble the parts and draw the following views :

- (a) Half-sectional front view 20
 (b) Top view 15
 (c) Dimensioning 5



Parts list

No.	Name	Matl	Qty
1	Stuffing box	C I	1
2	Gland	C I	1
3	Gland bush	BRASS	1
4	Neck bush	BRASS	1
5	Stud with nuts	M S	3

6. The details of Eccentric are shown in the figure below. Assemble the parts and draw the following views :

- (a) Half-sectional front view 20
- (b) Right-side view 15
- (c) Dimensioning 5

