

C14-A-107/C14-AEI-107/C14-BM-107/C14-C-107/C14-CH-107/
C14-CHOT-107/C14-CHPC-107/C14-CHPP-107/C14-CHST-107/
C14-CM-107/C14-EC-107/C14-EE-107/C14-IT-107//C14-MET-107/
C14-MNG-107/C14-PCT-107/C14-PET-107/C14-RAC-107/
C14-TT-107/C14-M-**107**

4005

BOARD DIPLOMA EXAMINATION,(C-14)

MARCH /APRIL-2019

FIRST YEAR (COMMON) EXAMINATION

ENGINEERING DRAWING

Time: 3 Hours

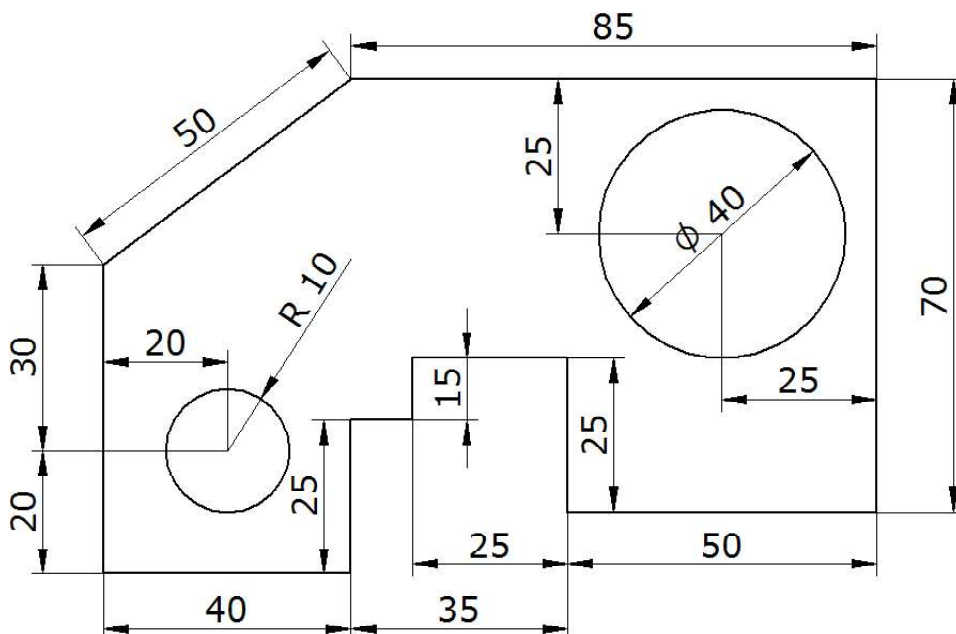
Max. Marks: 60

PART -A

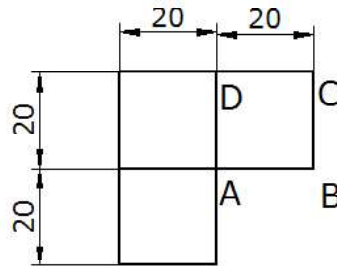
4x5=20M

- Instructions:** 1) Answer **all** questions
2) Each question carries **five** marks
3) All the dimensions are in mm.

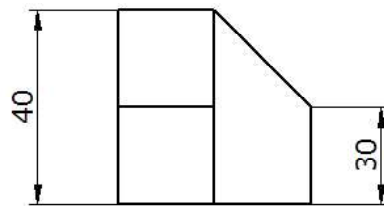
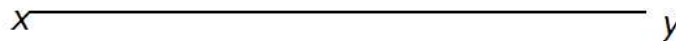
- 1) Write the following in single stroke vertical letters of size 10mm
TECHNICAL EDUCATION
- 2) Redraw the following figure and dimension it, as per SP-46-1988.



- *3) A stone is thrown from the ground level, It reaches a height of 40 meters and falls on the ground at a distance of 80 meters from the point of projection. Draw the path of the stone.
- 4) Draw the auxiliary view of the sloping side of the object whose front view and top view are given in the figure below.



Front view



Top view

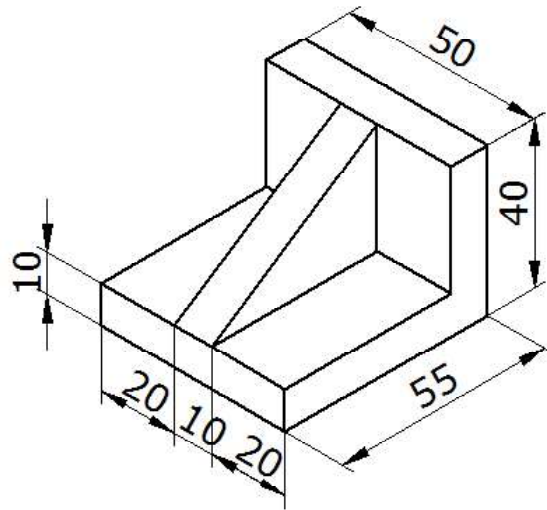
PART-B

4x10=40M

- Instructions :**
- 1) Answer any **four** questions
 - 2) Each question carries **ten** marks
 - 3) All the dimensions are in mm.

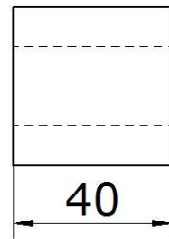
- * 5) Construct an ellipse with major and minor axes 120mm and 70mm respectively by concentric circles method.
- 6) A hexagonal pyramid side of base 25mm and height 50mm lies with one of its triangular faces on the HP and its axis is parallel to VP. Draw its projections.
- * 7) A cylinder of base diameter 40mm and height 60mm rests on its base on HP . A plane perpendicular to VP and inclined at 30° to HP cuts it through a point 30mm from base on the axis. Draw the front view, top view and true shape of section.

- * 8) Draw the front view, top view and left side views of following object shown below.

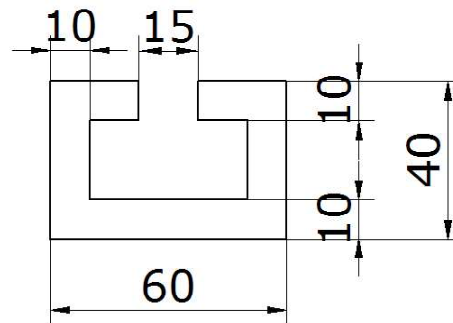


- 9) Draw an isometric drawing of an object from the given orthographic views.

RIGHT SIDE VIEW



FRONT VIEW



- 10) Draw the development surface of pentagonal pyramid of base side 25 mm and height 60mm.

* * *