



C14-A/AEI/BM/C/CH/CHOT/CHPC/CHPP/  
CHST/CM/EC/EE/IT/M/MET/MNG/PCT/  
PET/RAC/TT-107

**4005**

**BOARD DIPLOMA EXAMINATION, (C-14)**

**OCT/NOV—2018**

**DEEE—FIRST YEAR EXAMINATION**

**ENGINEERING DRAWING**

Time : 3 hours]

[ Total Marks : 60

**PART—A**

4×5=20

- Instructions :** (1) Answer **all** questions.  
(2) Each question carries **five** marks.  
(3) All dimensions are given in mm.

1. Print the following in single stroke 10mm size inclined lettering as per SP:46-1988:

“DRAWING IS THE LANGUAGE OF ENGINEERS”

2. Dimension the following figure-1 in parallel dimensioning method.

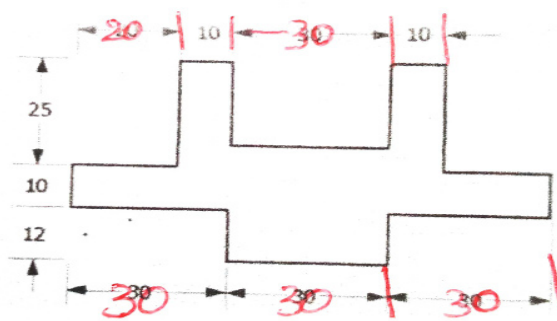


Figure - 1

3. Draw a heptagon of side 30mm by semicircle method.

4. Draw the auxiliary view of the inclined surface of the object, whose front view and top view are shown in figure - 2.

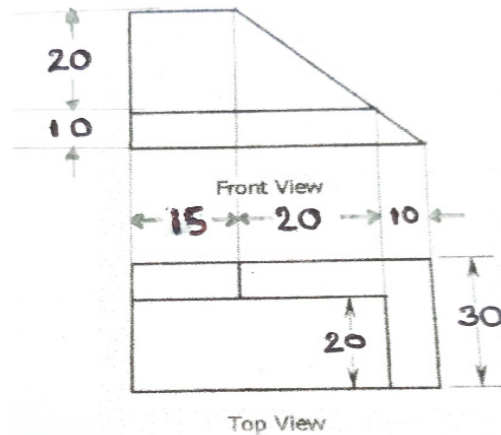


Figure - 2

**PART-B**

4×10=40

- Instructions :** (1) Answer *any four* questions.  
 (2) Each questions carries **ten** marks.  
 (3) All dimensions are given in mm.

5. Draw a helix of pitch 60 mm on a cylinder of diameter of 50 mm.
6. A circular plane of diameter 60 mm is touching the VP with a point on its circumference. The plane is inclined at  $45^\circ$  to VP and perpendicular to HP. The centre of the plane is 40 mm above HP. Draw its projections.
7. A square pyramid of base side 50 mm and axis 75 mm long is resting on ground with its axis vertical and sides of the base equally inclined to the vertical plane. It is cut by a section plane perpendicular to VP and inclined at  $45^\circ$  to HP, and bisecting the axis. Draw its front view, sectional top view and the true shape of section.

8. Draw its front view, top view and left side view of the component shown in figure - 3.

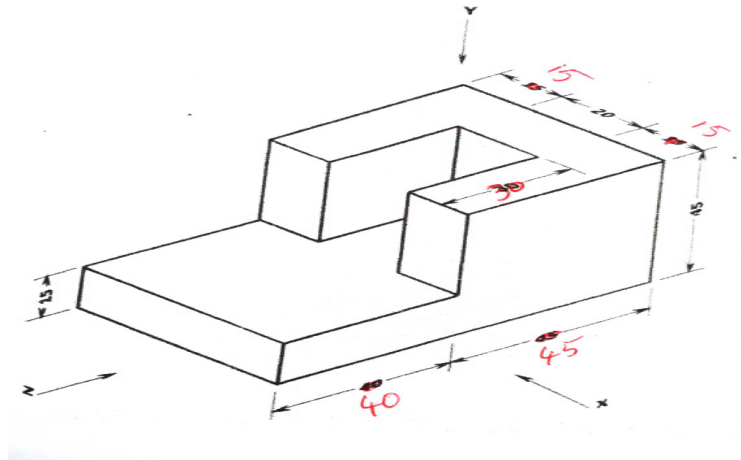


Figure - 3

9. Draw the isometric view of the block whose orthographic projections are shown in figure - 4.

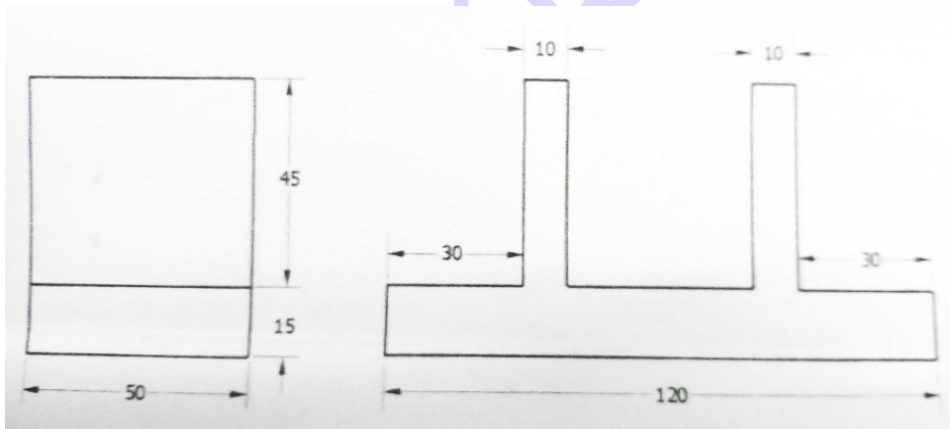


Figure - 4

10. A cone of base diameter 40 mm and slant height 60 mm is standing vertically on HP. It is cut by a plane which is inclined at  $45^\circ$  to HP, perpendicular to VP and passing through the midpoint of the axis. Develop the lateral surface of the frustum.