



C09-M-307/C09-MET-307

**3251**

**BOARD DIPLOMA EXAMINATION, (C-09)**

**OCT/NOV—2015**

**DME—THIRD SEMESTER EXAMINATION**

**MACHINE DRAWING**

*Time : 3 hours ]*

*[ Total Marks : 60*

**PART—A**

5×4=20

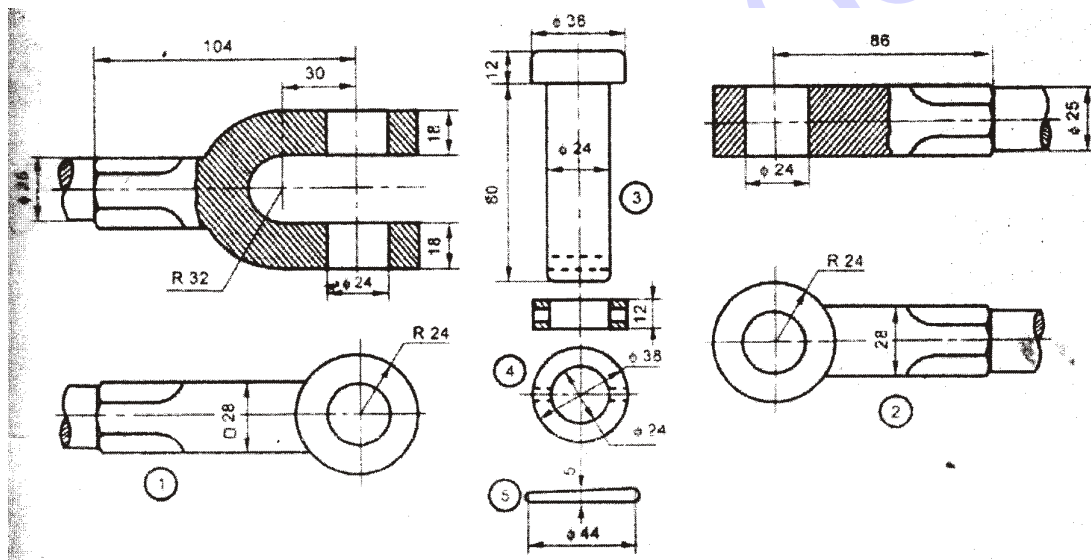
- Instructions :** (1) Answer **all** questions.  
(2) Each question carries **five** marks.

1. Draw two views of Gib Headed key.
2. Draw two views of double riveted zig-zag lap joint.
3. Draw the single-line symbols of the following pipe fittings :
  - (a) Plug
  - (b) 90° Elbow
  - (c) Union
  - (d) Lateral
  - (e) Globe valve
4. Draw the following weld symbols :
  - (a) Single bevel butt weld
  - (b) Single U-butt weld
  - (c) Single J-butt weld
  - (d) Slot weld
  - (e) Flat single V-butt weld

- Instructions :** (1) Answer *any one* question.  
 (2) Each question carries **forty** marks.  
 (3) Priority should be given to the accuracy, neatness and dimensioning.  
 (4) All dimensions are in mm and assume missing dimensions, if any.

5. Study the given part drawings of Knuckle joint. Assemble the parts and draw (a) half-sectional front view and (b) top view.

25+15=40



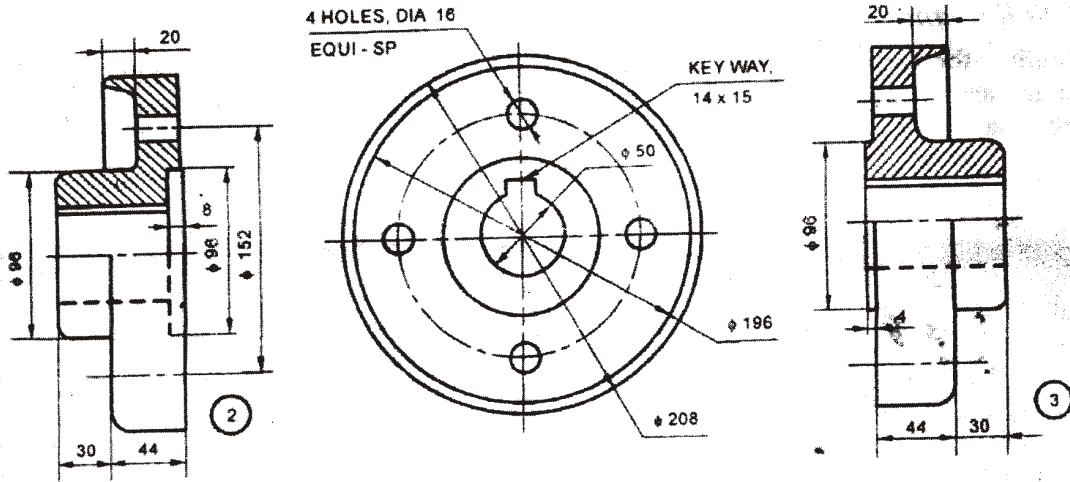
Knuckle Joint

**Parts List**

No.	Name	Material	Quantity
1	Fork end	FS	1
2	Eye end	FS	1
3	Pin	MS	1
4	Collar	MS	1
5	Taper pin	MS	1

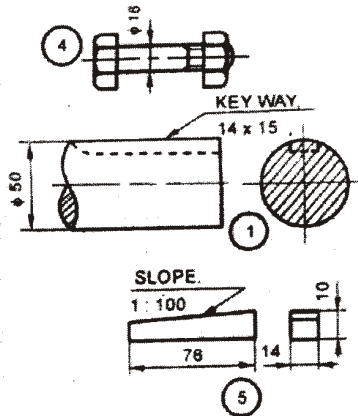
6. Study the parts of given protected flanged coupling. Assemble the parts and draw (a) half-sectional front view and (b) right-side view.

25+15=40



(c)

### Parts List



No.	Name	Material	Quantity
1	Shaft	MS	2
2	Flange	CI	1
3	Flange	CI	1
4	Bolt with nut	MS	4
5	Key	MS	2

Protected Flanged Coupling

\*\*\*