



C09-M-307/C09-MET-307

3251

BOARD DIPLOMA EXAMINATION, (C-09)

APRIL/MAY—2015

DME—THIRD SEMESTER EXAMINATION

MACHINE DRAWING

Time : 3 hours]

[Total Marks : 60

PART—A

5×4=20

Instructions : (1) Answer **all** questions.

(2) Each question carries **five** marks.

(3) All dimensions are in mm. Choose suitable scale.

1. Draw Hexagonal headed bolt with nut taking nominal diameter as 16 mm. 5

2. Draw the following forms of nuts with standard proportions : $2\frac{1}{2}+2\frac{1}{2}=5$

(a) Flanged nut

(b) Wing nut

3. Draw the single line symbols for the following pipe fittings : $1\times 5=5$

(a) 90° turned down elbow

(b) Tee

(c) Plug

(d) Cross

(e) Union

- * **4.** Draw weld symbols for the following types of welds : 1×5=5
- (a) Square butt weld
 - (b) Single J-Butt
 - (c) Concave Fillet weld
 - (d) Spot weld
 - (e) Convex Double V-butt weld

PART—B

40

- Instructions :** (1) Answer *any one* question.
(2) Each question carries **forty** marks.
(3) All dimensions are in mm and choose suitable scale.

- 5.** Assemble the parts of footstep bearing shown in Fig. 1 (Page 3) and draw the following views : 25+15=40

- (a) Sectional front view
- (b) Top view

- 6.** Assemble the parts of eccentric shown in Fig. 2 (Page 4) and draw the following views : 25+15=40

- *
 - (a) Half-sectional front view with top half in section
 - (b) Right side view

*

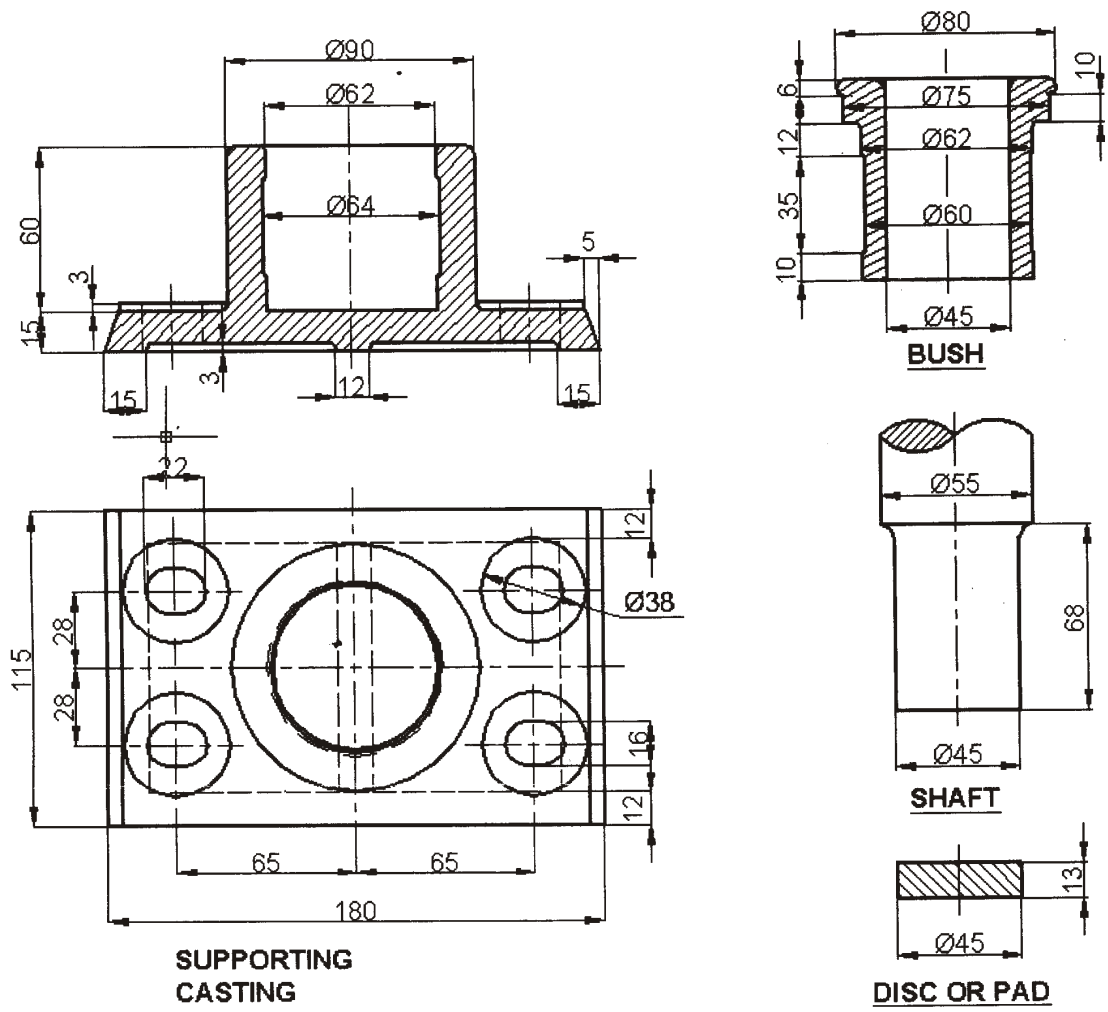


Fig. 1 : Footstep Bearing Parts

030

*

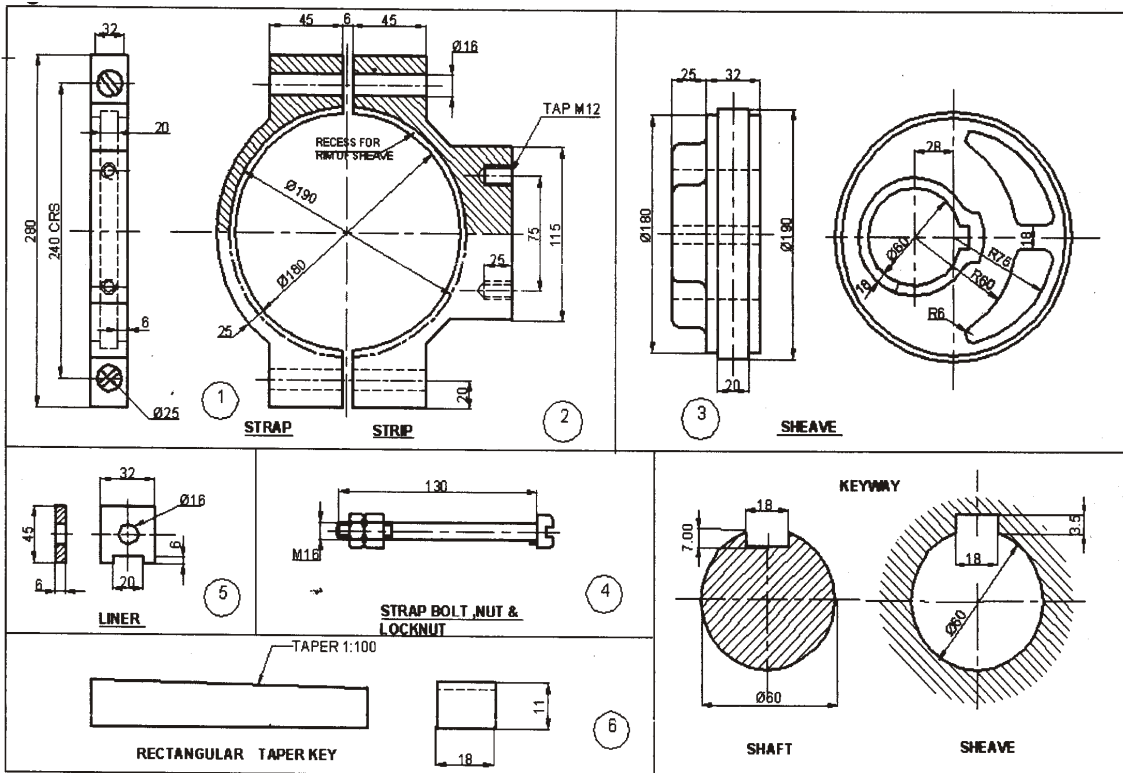


Fig. 2 : Eccentric Parts
