



3251

C-09-M-307

3251

BOARD DIPLOMA EXAMINATION, (C-09)

OCT/NOV- 2014

DME-THIRD SEMESTER EXAMINATION

MACHINE DRAWING

Time: 3 Hours

Max.Marks:60

PART-A

4X5=20

Instructions: 1) Answer all the questions and each question carries FIVE marks.

2) Draw the following questions neatly and show the standard proportion.

1. Sketch the following special nuts

a) cap nut

b) wing nut

2. Sketch a double riveted chain lap joint (2 views)

3. Draw the symbols of the following welded joints.

a) Single bevel butt weld

b) Single V butt weld

c) Spot weld

d) Fillet weld

e) seam weld

4. Draw the following pipe fitting symbols (single line)

a) Reducer

b) Lateral

c) Coupling

d) Check Valve

e) Plug

3251]

-1-

[Cont...2

*

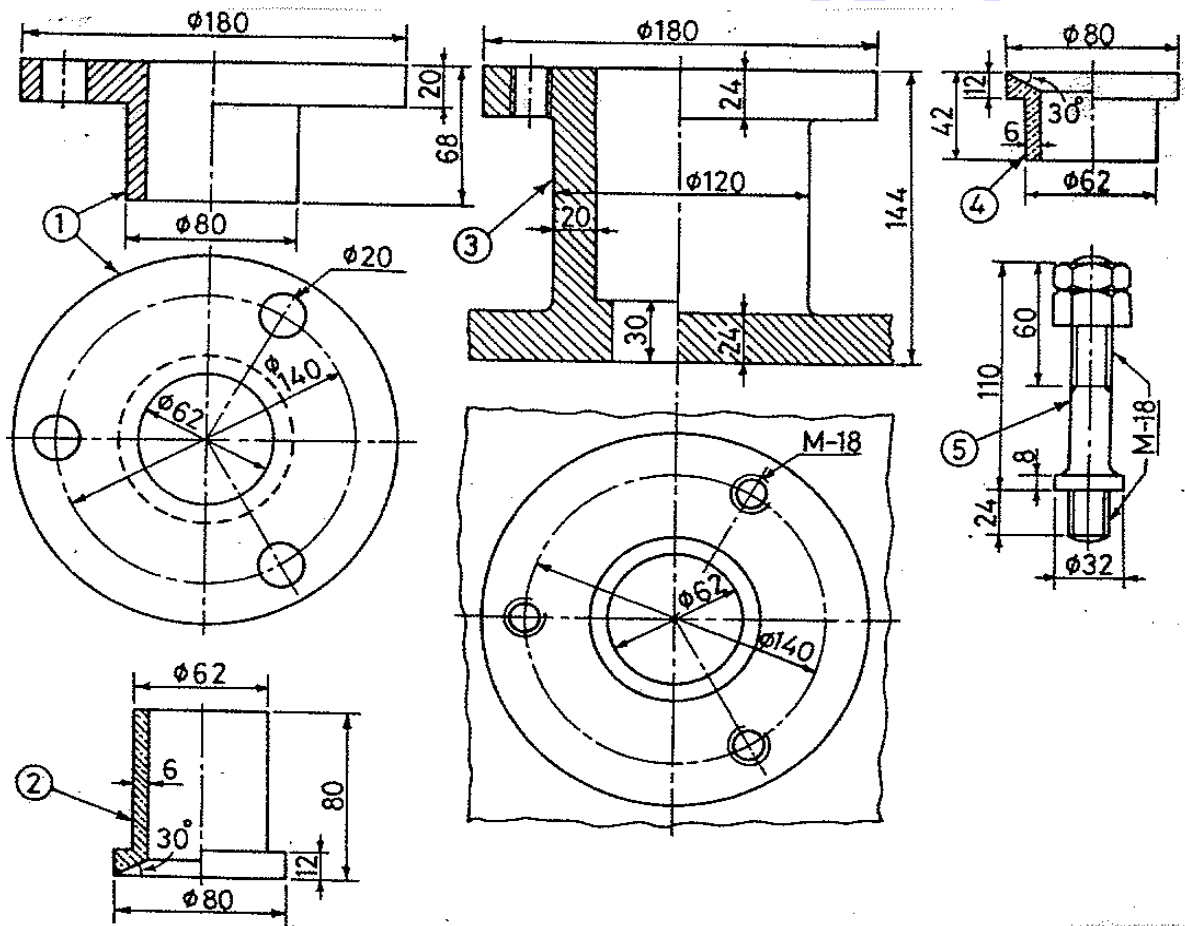
PART-B

40x1=40

Instructions: 1) Answer any ONE of the following questions and each question carries 40 marks
 2) All dimensions are in mm and assume missing dimensions if any.

5. Fig. shows the details of stuffing box. Draw the following assemble views using First angle projection method.

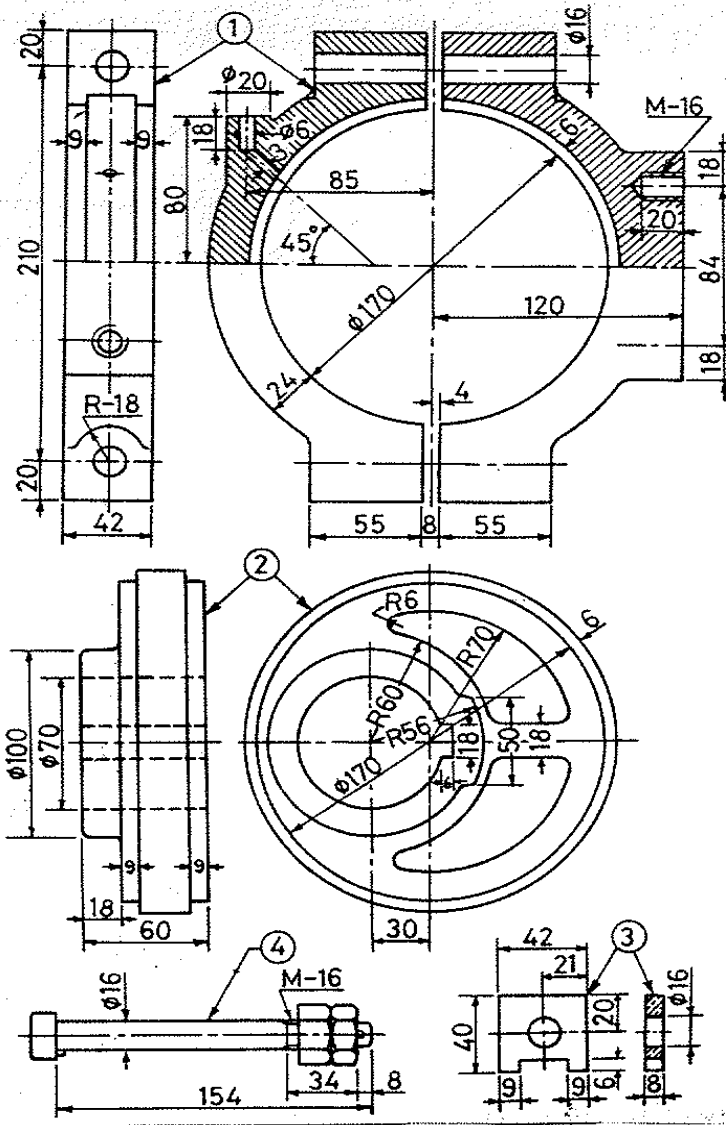
- a) Elevation full in section 20
- b) Plan 15
- c) Dimensioning 05



No.	Name of part	No. off	Material	Remark
5.	Studs and nuts	3	C-30	Equally spaced at 120°
4.	Neck bush	1	Brass	
3.	Stuffing box	1	C.I.	
2.	Gland bush	1	Brass	
1.	Gland	1	C.I.	

6. Fig.shows the details of eccentric. Draw the following assemble views using first angle projection method.

- a) Half sectional Elevation 20
- b) Right Side View 15
- c) Dimensioning 05



No.	Name of part	No. of	Material	Remark
4.	Bolts with nuts	2	C-30	
3.	Shim	2	Brass	
2.	Sheave	1	C.I.	
1.	Straps (in two parts)	1	C.I.	