



C09-CHOT-107/C09-M-107/RAC-107

3044

BOARD DIPLOMA EXAMINATION, (C-09)

OCT/NOV—2014

DME—FIRST YEAR EXAMINATION

ENGINEERING DRAWING

Time : 3 hours]

[Total Marks : 60

PART—A

5×4=20

Instructions : (1) Answer **all** questions.

(2) Each question carries **five** marks.

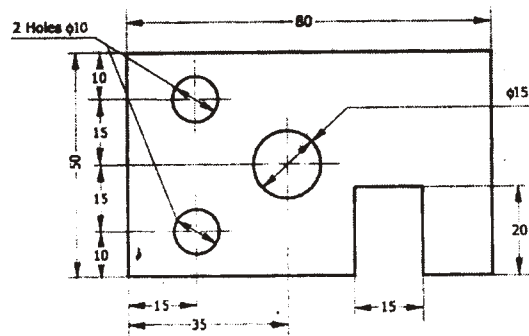
(3) Take suitable scale whenever required.

(4) All dimensions are in mm.

1. Print the following line in 10 mm size single-stroke vertical capital lettering :

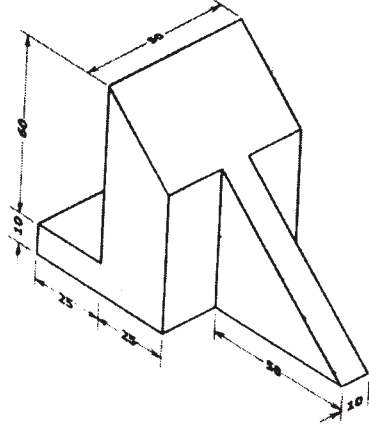
“STRENGTHEN THE MORAL VALUES”

2. Redraw the following figure and dimension it as per SP:46-1988 :

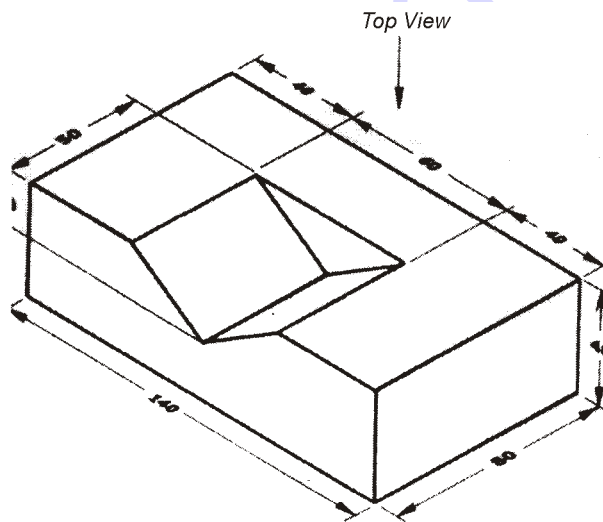


*

3. Draw the auxiliary view of the sloping surface of the object shown in the following figure :



4. Draw the top view of the following pictorial drawing in first angle :



PART—B

10×4=40

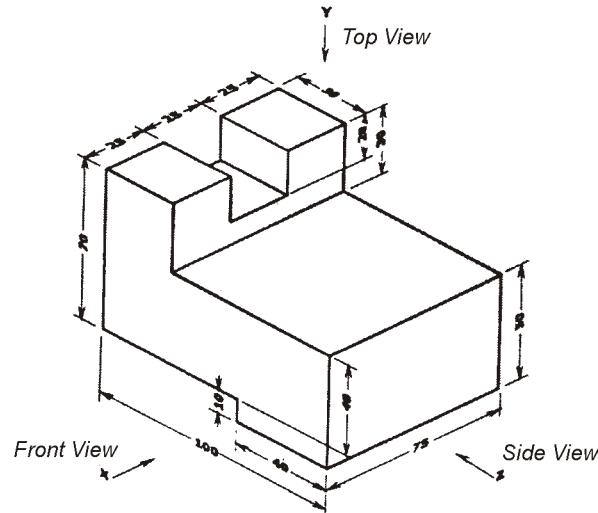
- Instructions :** (1) Answer *any four* questions.
(2) Each question carries **ten** marks.
(3) Take suitable scale whenever required.
(4) All dimensions are in mm.

*

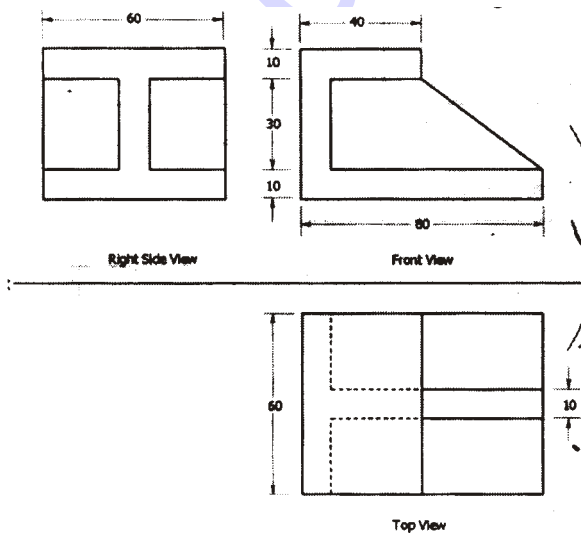
5. Draw an involute on a hexagon of side 30 mm.
6. The surface of a hexagon of side 30 mm is parallel and 20 mm in front of the VP. One of its sides makes an angle of 30° with HP. Draw its projection.

*

7. Draw the front, top and right-side view of the following object shown below :



8. Draw the isometric view of the object from the following orthographic views :



9. A pentagonal pyramid of base side 40 mm and height 80 mm is resting on HP on its base with one of its base side parallel to VP. It is cut by a plane inclined at 30° to HP perpendicular to VP and is bisecting the axis. Draw the front view, sectional top view and true shape of section.

- * **10.** A hexagonal prism of side of base 20 mm and height 50 mm is standing vertically on HP with its one of rectangular faces parallel to VP. It is cut by a plane which is inclined at 45° to HP, perpendicular to VP and passing through one of the top corners of the prism. Develop the lateral part of the cut prism.

030 030 030 030 030

*