

6005
BOARD DIPLOMA EXAMINATION
MARCH/APRIL - 2019
DIPLOMA IN AUTOMOBILE ENGINEERING
ENGINEERING DRAWING
FIRST YEAR EXAMINATION

Time: 3 Hours

Total Marks: 60

PART - A **(5m x 4 = 20m)**

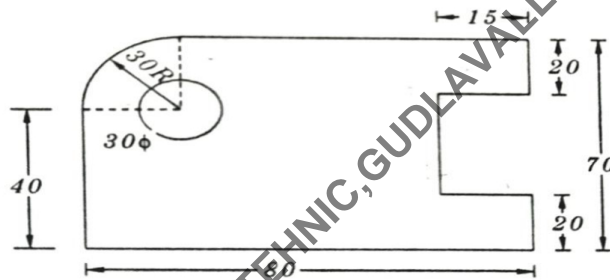
Note 1: Answer all questions and each question carries five marks.

2: All dimensions are in mm.

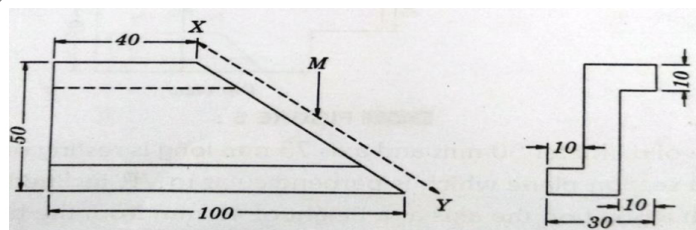
1. Print the following in single stroke inclined lettering of 10mm size.,

“CREATIVITY IS THE KEY TO SUCCESS”

2. Redraw the following figure to the full scale and dimension it using chain dimensioning method



3. Draw a common external tangent to two circles of unequal radii 26 mm and 20 mm, the central distance of which are 75 mm
4. Obtain the true shape of the section for the object shown in the Fig. 3 by an auxiliary view along the arrow direction



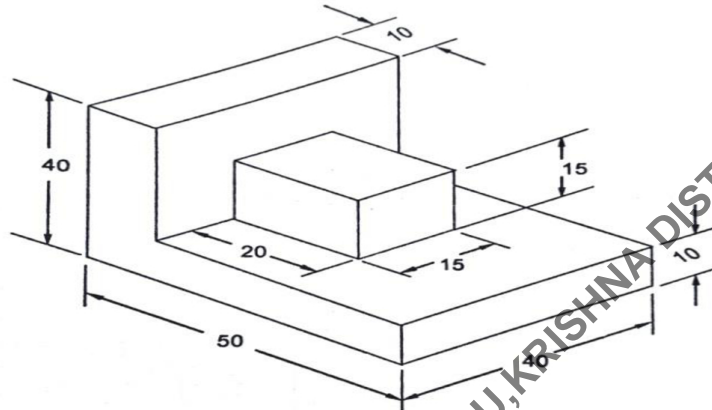
PART - B **(10m x 4 = 40m)**

Note 1: Answer any four questions and each question carries ten marks.

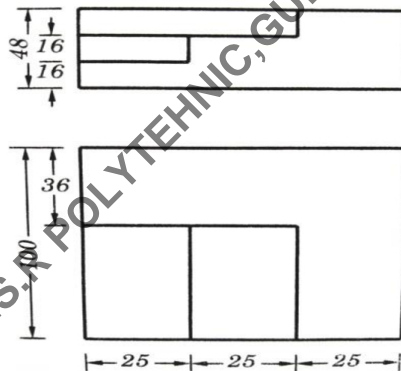
2: All dimensions are in mm.

5. Draw an involute of a pentagon of side 20 mm
6. A regular hexagon of 25mm side has its one edge on H.P. The surface of the Plane is perpendicular to V.P and inclined at 40° to H.P. Draw the projections of the Plane

7. A square prism of base side of 30mm and height 90mm is resting on HP on its base, with a base side inclined at 30° to VP. It is cut by a plane inclined at 45° to HP and perpendicular to VP and is bisecting the axis of the prism. Draw the front view, section top view and true shape of section
8. Draw the front view and top view of the following figure



9. Draw an isometric view of the steps whose orthographic projections are given below:



10. A hexagonal pyramid of base side 25mm and the axis 65mm long is resting on its base in HP having one of its base sides parallel to VP. It is cut by a section plane which is perpendicular to VP, inclined at 45° to HP and passing through the midpoint of axis. Draw the surface development of the bottom portion of truncated pyramid