



C09-A-107/C09-AEI-107/C09-BM-107/  
C09-CH-107/C09-CHST-107/C09-FW-107/  
C09-IT-107/C09-MET-107/C09-MNG-107/  
C09-PKG-107/C09-TT-**107**

**3005**

**BOARD DIPLOMA EXAMINATION, (C-09)**

**OCT/NOV—2013**

**FIRST YEAR (COMMON) EXAMINATION**

**ENGINEERING DRAWING**

*Time : 3 hours ]*

*[ Total Marks : 60*

---

**PART—A**

5×4=20

- Instructions :** (1) Answer **all** questions.  
(2) Each question carries **five** marks.  
(3) All dimensions are in mm.

- 1.** Print the following in 12 mm capital vertical letters as per SP : 46-1988 :

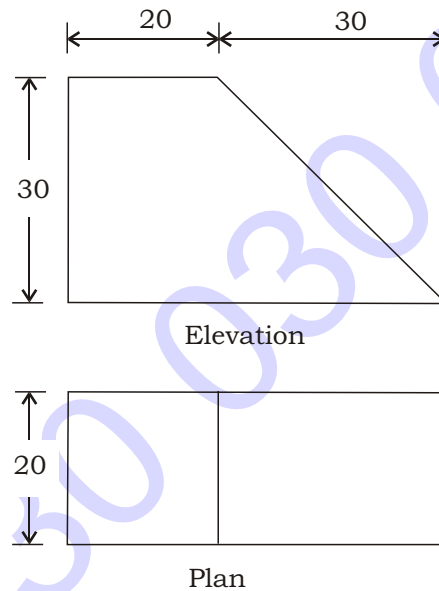
“AVERAGE MINDS DISCUSS EVENTS”

- 2.** Divide a line 85 mm long into 10 equal parts.

\*

**C09-A-107/C09-AEI-107/C09-BM-107/  
C09-CH-107/C09-CHST-107/C09-FW-107/  
C09-IT-107/C09-MET-107/C09-MNG-107/  
C09-PKG-107/C09-TT-107**

3. A ball is thrown up in air from the ground level, reaches the maximum height of 45 meters and travels a horizontal distance of 75 meters from the point of projection. Trace the path of the curve and identify it (scale 1 : 1000).
4. The orthographic views are given below. Draw its auxiliary views :



**PART—B**

10×4=40

- Instructions** : (1) Answer *any four* questions.  
(2) Each question carries **ten** marks.  
(3) All dimensions are in mm.  
(4) Use first-angle projection.

5. Draw an ellipse whose major axis is 120 mm and minor axis is 70 mm, using concentric circles method.

\*  
**C09-A-107/C09-AEI-107/C09-BM-107/  
 C09-CH-107/C09-CHST-107/C09-FW-107/  
 C09-IT-107/C09-MET-107/C09-MNG-107/  
 C09-PKG-107/C09-TT-107**

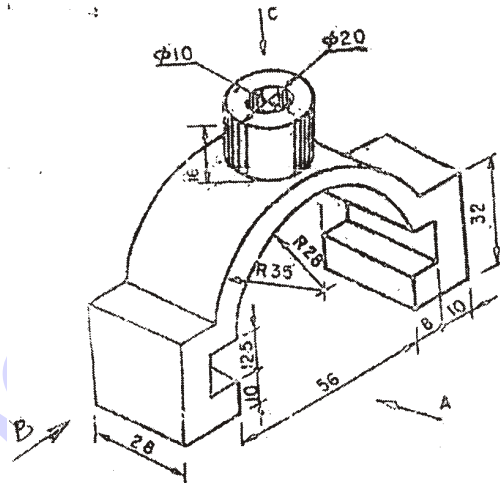
6. The following figure shows the pictorial view of an object. Draw to a full-size scale the following views in first-angle projection :

(a) Front view through A

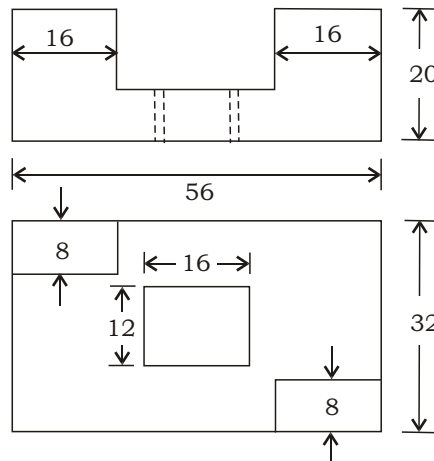
(b) Side view through B

(c) Top view through C

Show all hidden lines also.



7. Draw the isometric view of the object whose orthographic views are given below :



\*

**C09-A-107/C09-AEI-107/C09-BM-107/  
C09-CH-107/C09-CHST-107/C09-FW-107/  
C09-IT-107/C09-MET-107/C09-MNG-107/  
C09-PKG-107/C09-TT-107**

8. A cone of 50 mm base diameter and axis 60 mm, rests on HP on its base. It is cut by a section plane inclined at  $30^\circ$  to the HP and perpendicular to VP and also passing through a point 30 mm below the apex. Draw the development of the lateral surface of truncated cone.
9. A hexagonal pyramid of base side 30 mm and height 80 mm is resting on the ground with its axis vertical. It is cut by a plane inclined at  $30^\circ$  to the HP and passing through a point on the axis at 30 mm from vertex. Draw the front view and sectional top view.
10. A square plane 40 mm side stands on its side on HP and its plane is parallel to VP. Draw its projections.

\*\*\*