



C20-EE-CHPP-107

7038

BOARD DIPLOMA EXAMINATION, (C-20)

SEPTEMBER/OCTOBER—2021

DEEE - FIRST YEAR EXAMINATION

ENGINEERING DRAWING

Time : 3 hours]

[Total Marks : 60

PART—A

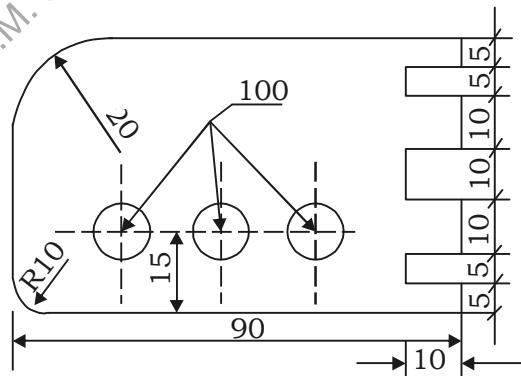
5×4=20

- Instructions :**
- (1) Answer **all** questions.
 - (2) Each question carries **five** marks.
 - (3) **All** dimensions are in mm.

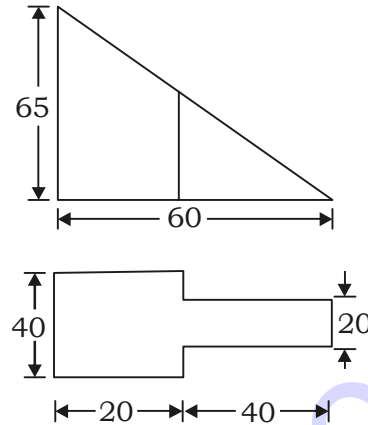
1. Print the following in single stroke-vertical lettering of 10mm size in capital letters :

“CREATIVITY IS THE KEY TO SUCCESS”

2. Redraw the given figure to full scale, dimension it as per SP : 46-1988 :



3. Construct regular pentagon of side 25 mm by any one method.
4. Draw the auxiliary view of the inclined surface of the figure given below :



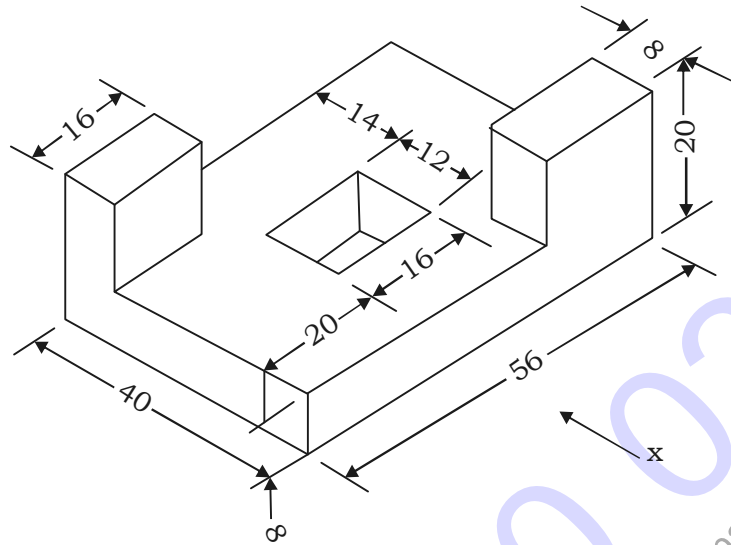
PART—B

10×4=40

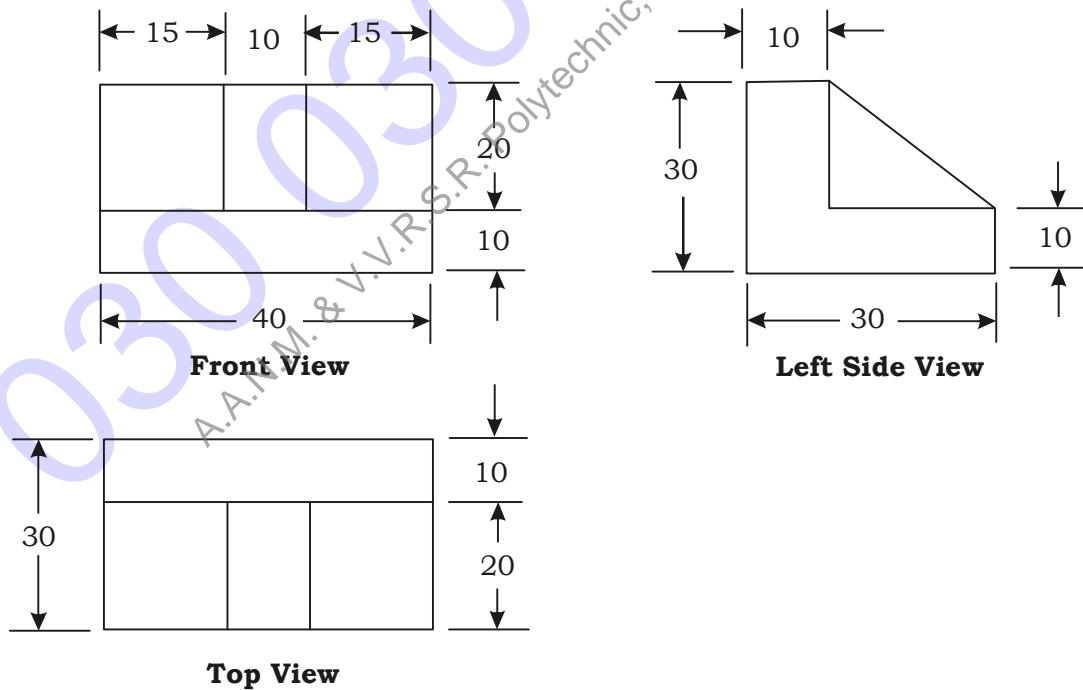
- Instructions :**
- (1) Answer *any four* questions.
 - (2) Each question carries **ten** marks.
 - (3) **All** dimensions are in mm.

5. Construct a cycloid of circle of radius 30 mm.
6. Draw the projections of a Cone with base 30 mm diameter and axis 50 mm long resting on HP on a point of its base circle with the axis making an angle 45° with HP and parallel to VP.
7. A hexagonal pyramid of base side 30 mm and axis 75 mm long is resting on its base in HP having a base side parallel to VP. It is cut by a section plane which is inclined at 30° to HP, perpendicular to VP and passing through a point on the axis at a distance of 35 mm from the vertex. Draw its sectional front view and sectional top view.

8. Draw the front view and top view of the object shown below :



9. Draw an isometric view of an object whose orthographic views are given below :



10. Develop the lateral surface of truncated cone of base diameter 60 mm and a vertical height of 80 mm, when it is cut by a plane inclined at an angle of 45° to horizontal plane and passes through the midpoint of its axis.

030 030 030 030
A.A.N.M. & V.V.R.S.R. Polytechnic, Gudlavalleru, Krishna District, Andhra Pradesh

*

*