



C16-EE/CHPP-107

6038

BOARD DIPLOMA EXAMINATION, (C-16)
SEPTEMBER/OCTOBER - 2020
DEEE—FIRST YEAR EXAMINATION

ENGINEERING DRAWING

Time : 3 hours]

[Total Marks : 60

PART—A

5×4=20

Instructions : (1) Answer **all** questions.

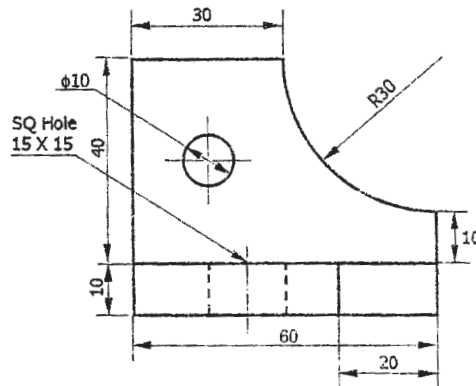
(2) Each question carries **five** marks.

(3) All dimensions are in mm.

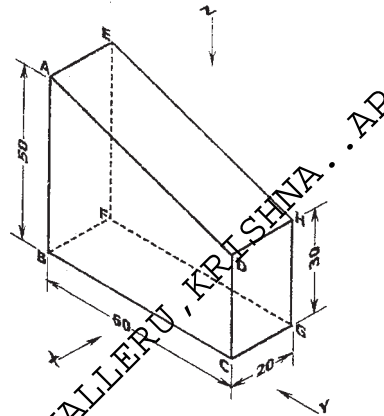
1. Print the following in single-stroke 10 mm size vertical lettering :

“DRAWING IS THE LANGUAGE OF ENGINEERS”

2. Read the dimensional drawing as shown below. Draw it to full scale and dimensions as SP-46 : 1988 :



- * 3. Draw the tangents to a circle of diameter 40 mm from points P at a distance of 60 mm from the centre.
4. Draw the auxiliary view of the inclined surface of the object as shown in figure below :



PART—B

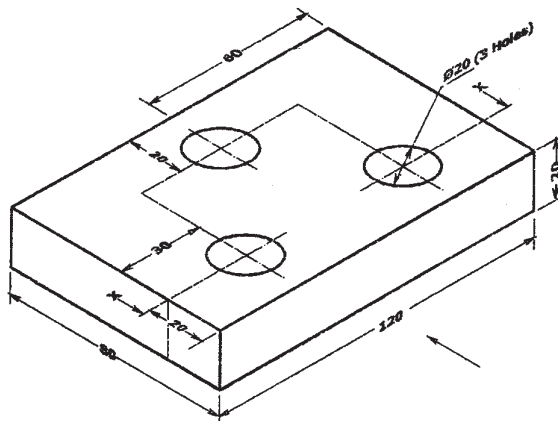
10×4=40

Instructions : (1) Answer *any four* questions.

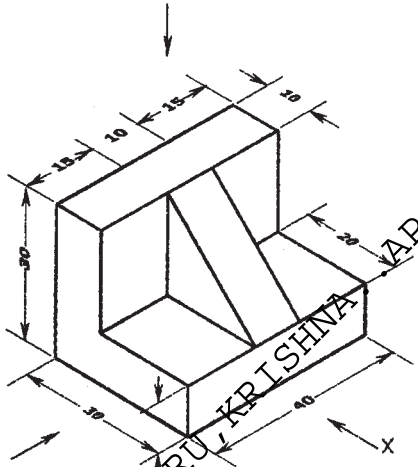
(2) Each question carries **ten** marks.

(3) All dimensions are in mm.

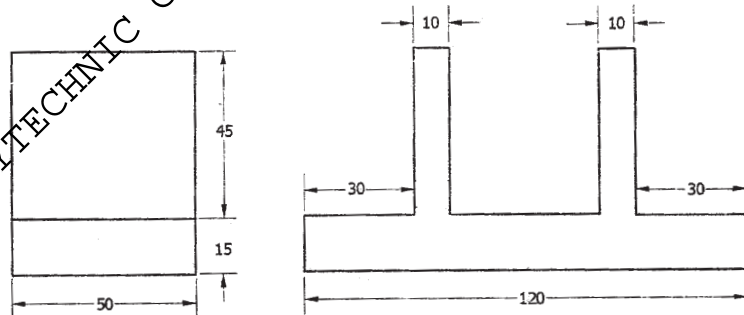
5. Draw an involute to a circle of radius 20 mm.
6. Draw the projections of a cone base 30 mm diameter and axis 50 mm long resting on HP on a point of its base circle with axis making an angle 45° with HP and parallel to VP.
7. Draw sectional front view and top view for the object shown below :



- * 8. Draw orthographic views of front view and top view of the given block below :



9. Draw isometric view of the orthographic view given below :



10. Draw the development of an elbow in two pieces at 90° shown below :

