



C09-A-107/C09-AEI-107/C09-BM-107/ C09-C-107/
C09-CM-107/C09-CH-107/C09-CHPP-107/
C09-CHPC-107/C09-CHOT-107/C09-CHST-107/
C09-EC-107/C09-EE-107/C09-IT-107/
C09-MET-107/C09-M-107/C09-MNG-107/
C09-PET-107/C09-TT-107/C09-RAC-**107**

3005

BOARD DIPLOMA EXAMINATION, (C-09)

OCT/NOV—2012

FIRST YEAR (COMMON) EXAMINATION

ENGINEERING DRAWING

Time : 3 hours]

[Total Marks : 60

PART—A

5×4=20

- Instructions** : (1) Answer **all** questions.
(2) Each question carries **five** marks.
(3) All dimensions are in mm.

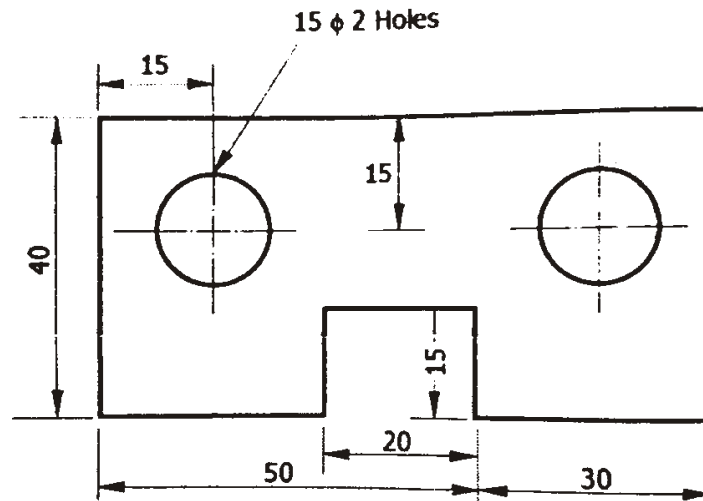
- 1.** Print the following words in 10 mm size single-stroke capital inclined lettering :

5

“BOARD DIPLOMA EXAMINATIONS”

- * 2. Redraw the following figure to full size scale and dimension it properly using parallel dimensioning :

5

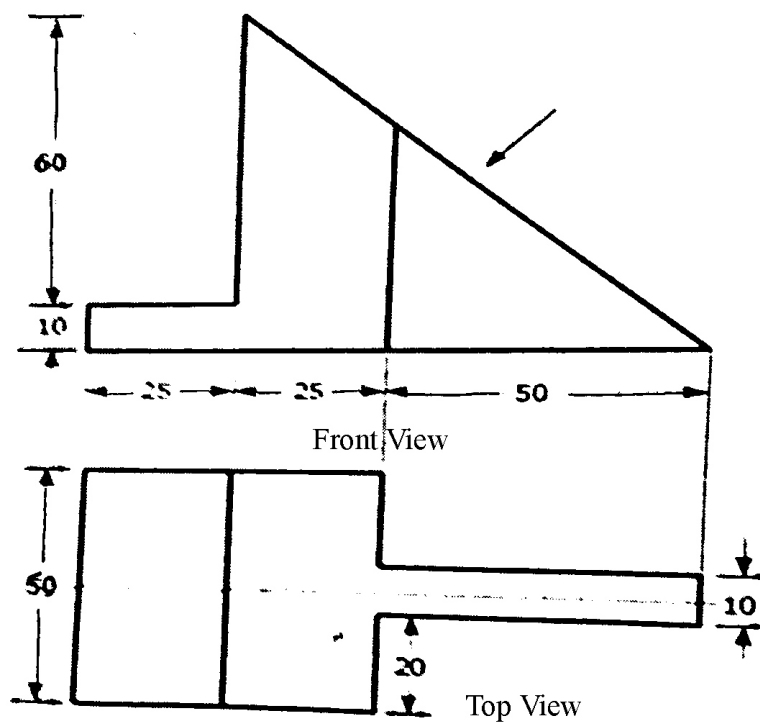


3. Divide a line 105 mm long into six equal parts.

5

4. Draw the auxiliary view for the inclined surface of the following views :

5



PART—B

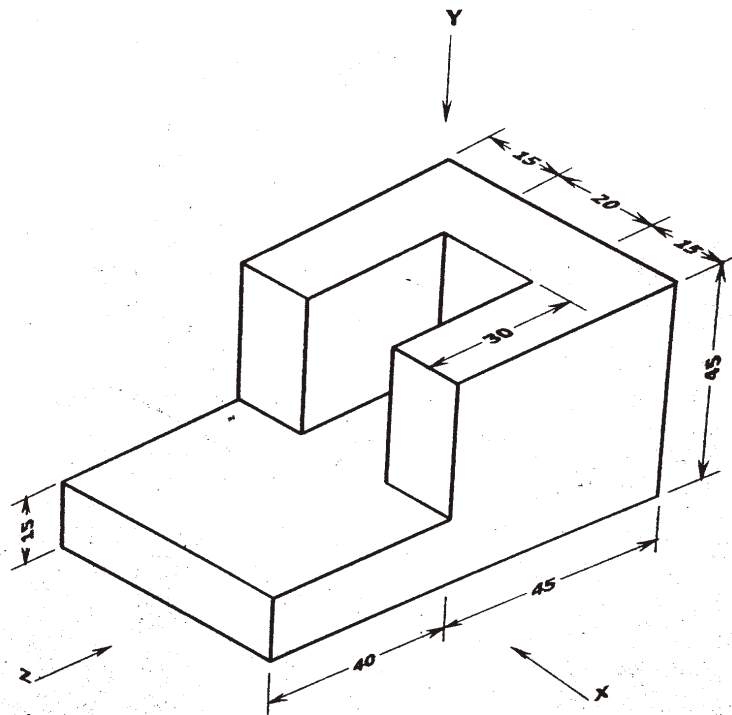
10×4=40

Instructions : (1) Answer *any four* questions.

(2) Each question carries **ten** marks.

(3) All dimensions are in mm.

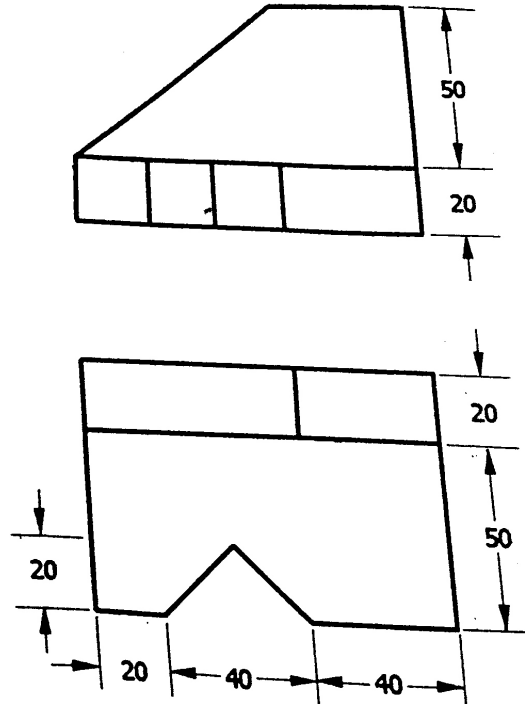
- 5. Construct a cycloidal curve through a point on the circumference of a circle of radius 20 mm. 10
- 6. Draw the projections of a cone, base 30 mm diameter and axis 50 mm long resting on HP on a point of its base circle with the axis making an angle 45° with HP and parallel to the VP. 10
- 7. Draw the front view, top view and left-hand side view of the object as shown in the figure below : 10



- 8. A cylinder of base diameter 40 mm and height 60 mm rests on its base on HP. A plane perpendicular to VP and inclined at 30° to HP cuts it through a point 30 mm from base on the axis. Draw the front view, sectional top view and true shape of the section. 10

*

9. Draw the isometric view of the block whose orthographic views are given below in first angle projection of drawing : 10



10. A pentagonal pyramid of base side 25 mm and axis height 60 mm is resting on its base, such that one of its base edges is perpendicular to VP. It is cut by a section plane perpendicular to VP, inclined at 60° to HP and is passing through the midpoint of its axis. Draw the lateral development of the bottom part. 10

*