



C16-EC/CHPC/PET-107

6031

BOARD DIPLOMA EXAMINATION, (C-16)

OCTOBER—2020

DECE—FIRST YEAR EXAMINATION

ENGINEERING DRAWING

Time : 3 hours]

[Total Marks : 60

PART—A

5×4=20

Instructions : (1) Answer **all** questions.

(2) Each question carries **five** marks.

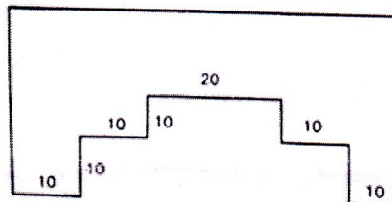
(3) Take suitable scale wherever required.

(4) All dimensions are in mm.

1. Print the following in single stroke vertical lettering of 10 mm size in capital letters :

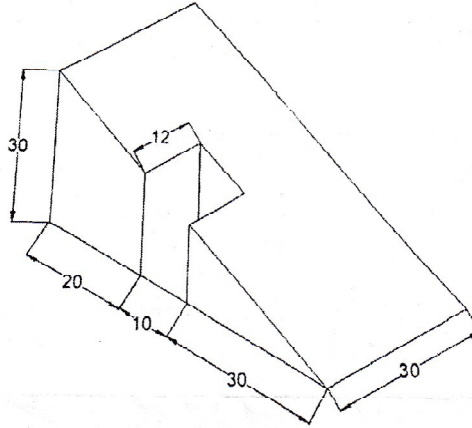
ALWAYS KEEP FAITH IN GURU

2. Redraw the following fig to the full scale using progressive dimensioning method :



3. Inscribe a regular pentagon in a circle of 60 mm diameter.

- * 4. Draw the Auxiliary view of the inclined surface of object shown below.



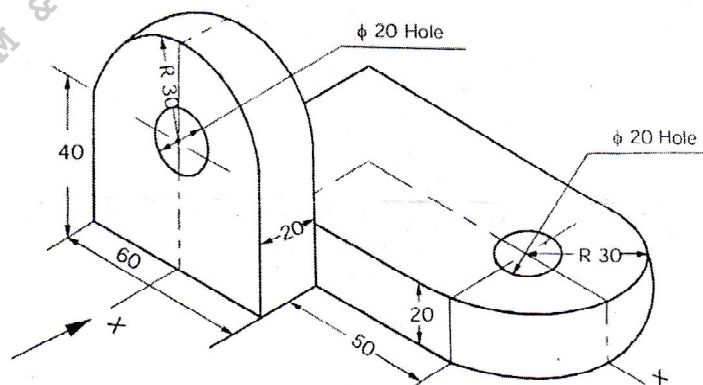
PART—B

10×4=40

Instructions : (1) Answer *any four* questions.

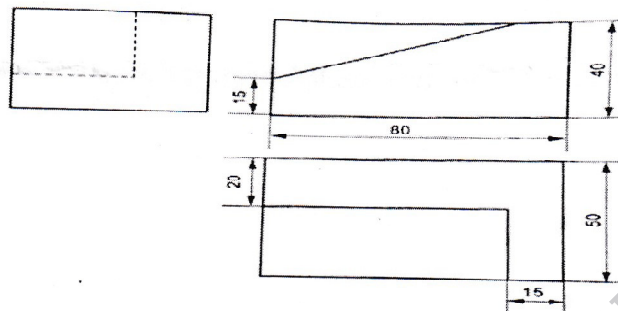
(2) Each question carries **ten** marks.

5. A circle of 50 mm diameter rolls along a line. A point on the circumference of the circle is in contact with the line in the beginning and after one complete revolution. Draw the cycloid path of the point.
6. A hexagonal pyramid of base 25 mm side and axis 50 mm long is resting on one of its triangular faces on the HP and axis is parallel to VP. Draw its projections.
7. Draw the sectional Front view and Top view of the object shown in figure.



* 8. A pentagonal pyramid of base side 40 mm and height 80 mm is resting on HP on its base with one of its base sides parallel to VP. It is cut by a plane inclined at 30° to HP, perpendicular to VP and is bisecting the axis. Draw its front view, sectional top view.

9. The front view and top view of a machine block is shown in fig. Draw its isometric view.



10. Draw the development of the lateral surface of the part A of hexagonal pyramid shown in fig.

