

6031
BOARD DIPLOMA EXAMINATION
JUNE - 2019
DECE
ENGINEERING DRAWING
FIRST YEAR EXAMINATION

Time: 3 Hours

Total Marks: 60

PART - A (5m x 4 = 20m)

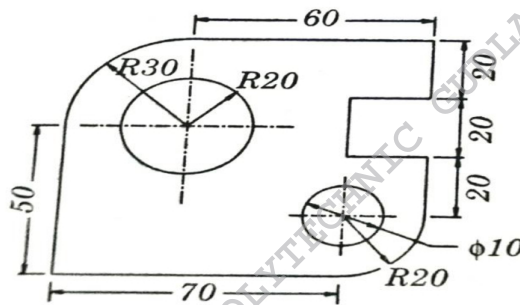
Note 1: Answer all questions and each question carries five marks

2: All dimensions are in mm

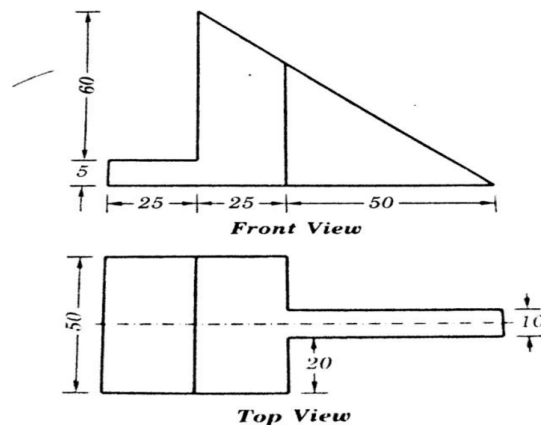
1. Print the following in single stroke vertical letters of size 10mm.,

"PERMANENT IDENTIFICATION NUMBER"

2. The component and its dimensions are shown in the figure below. Redraw it to full scale and dimension it adopting the recommendations of SP:46-1988:



3. A ball thrown up in the air reaches a maximum height of 80 m. the horizontal distance travelled by the ball is 50m. Trace the path of the ball
4. Figure shows the front view and top view of an object. Draw the auxiliary view of the inclined surface

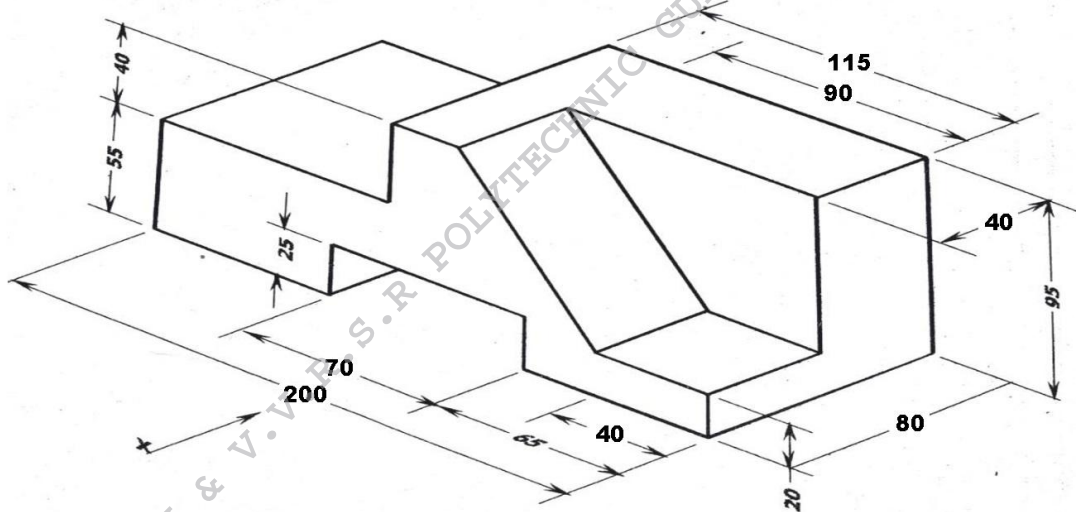


PART - B (10m x 4 = 40m)

Note 1: Answer any four questions

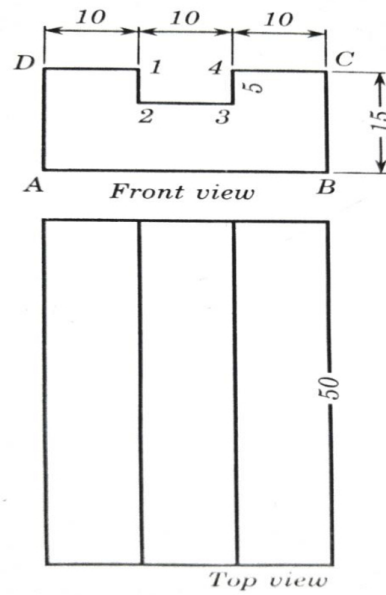
2: Each question carries ten marks

5. Construct an ellipse by concentric circles method with the following information
- Distance between foci is 80 mm
 - Length of minor axis is 60 mm
6. A circular Plane of diameter 60mm is touching the VP with a point on its circumference. The Plane is inclined at 45° to VP and perpendicular to HP. The centre of the Plane is 40mm above HP. draw its projections
7. A rectangular hexagonal pyramid of side 30mm and height 65mm is resting on its base on HP. One of its base sides is parallel to VP. It is cut by a cutting plane which is parallel to HP and is perpendicular to VP and passing through a height of 35mm from its bottom. Draw its sectional front view and top view
8. Draw the front view, top view and right side view of the given object shown in fig



1.

9. Draw the isometric view of the object the views of which are given below



10. A cone of base 50mm diameter and height 50mm rests with its base on HP. A section plane perpendicular to VP and inclined at 30 degrees to HP bisects the axis of the cone. Draw the development of the lateral surface of the truncated cone

- xxx -

A.A.N.M & V.V.R.S.R POLYTECHNIC GUDLAPALLE, KRISHNA Dist, A.P