

6031
BOARD DIPLOMA EXAMINATION
MARCH/APRIL - 2019
DECE
ENGINEERING DRAWING
FIRST YEAR EXAMINATION

Time: 3 Hours

Total Marks: 60

PART - A (5m x 4 = 20m)

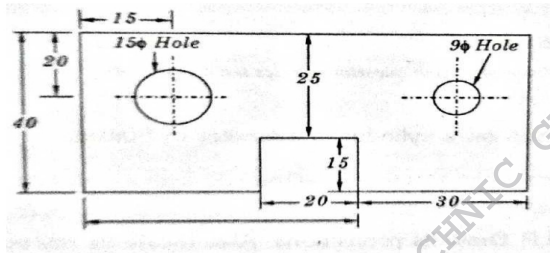
Note 1: Answer all questions and each question carries five marks

2: All dimensions are in mm

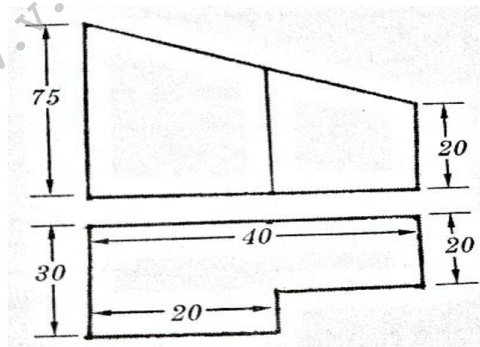
1. Print the following in single stroke inclined lettering of 10mm size.

“CREATIVITY IS THE KEY TO SUCCESS”

2. Redraw the following figures and dimension it by correct system of dimensioning by aligned system



3. Draw a rectangular hyperbola given a point **p** on it at a distance of 20 mm and 15 mm from the two asymptotes
4. Draw the auxiliary view for the inclined surface of the object shown in figure

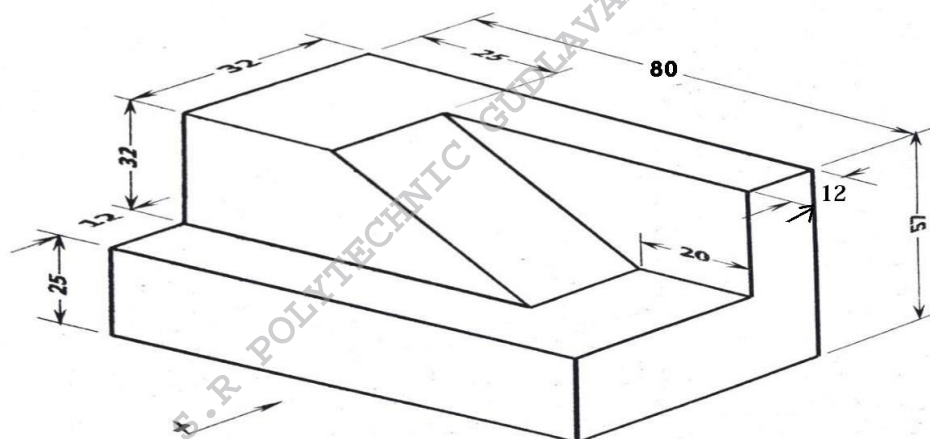


PART - B (10m x 4 = 40m)

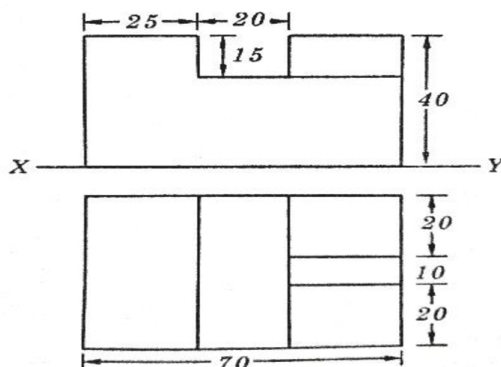
Note 1: Answer any four questions

2: Each question carries ten marks

5. Construct an ellipse by concentric circles method with the following information
 - a) Distance between foci is 80 mm
 - b) Length of minor axis is 60 mm
6. Draw the projections of a cone, base 30mm diameter and axis 50mm long resting on HP on a point of its base circle with the axis making an angle 45° with HP and parallel VP
7. A square prism of base side of 30mm and height 90mm is resting on HP on its base, with a base side inclined at 30° to VP. It is cut by a plane inclined at 45° to HP and perpendicular to VP and is bisecting the axis of the prism. Draw the front view, section top view and true shape of section
8. An isometric view of "inclined support" is given below. Draw its front view, top view and right side view



9. The front view and top view of an object are shown below. Draw its isometric view



10. A right circular cone of base 60mm diameter and 100mm high rests on its base on HP is cut by a plane inclined at 45 degrees to the HP and passing through the middle point of the axis. Draw the development of the surface of the truncated cone