



C16-EC/CHPC/PET-107

6031

BOARD DIPLOMA EXAMINATION, (C-16)

MARCH/APRIL—2017

DECE—FIRST YEAR EXAMINATION

ENGINEERING DRAWING

Time : 3 hours ]

[ Total Marks : 60

PART—A

5×4=20

**Instructions** : (1) Answer **all** questions.

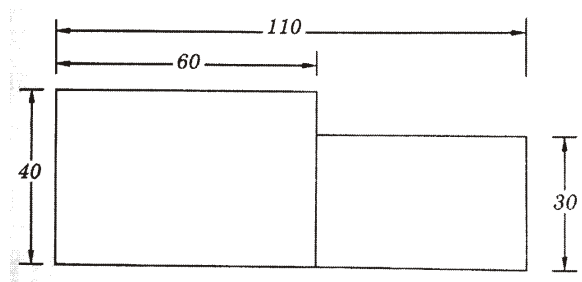
(2) Each question carries **five** marks.

(3) All dimensions are in mm.

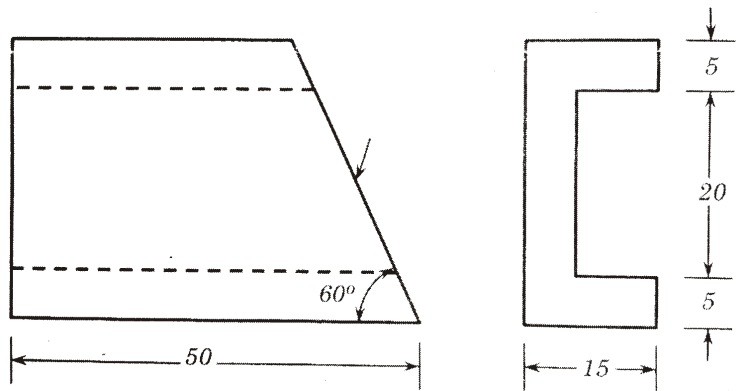
1. Write the following using single-stroke capital upright letters of 10 mm size :

“AMARAVATHI—THE PEOPLES CAPITAL”

2. Redraw the following figure in dimensioning :



- \* 3. Construct a regular hexagon of side 30 mm.  
 4. Draw the auxiliary view of the inclined surface of the given views :



**PART—B**

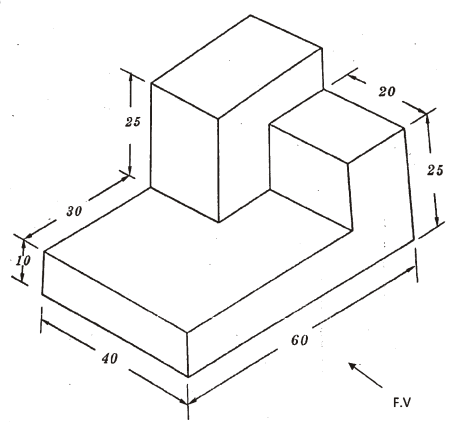
10×4=40

**Instructions :** (1) Answer *any four* questions.

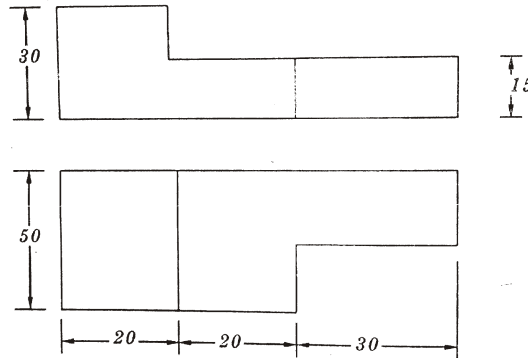
(2) Each question carries **ten** marks.

(3) All dimensions are in mm.

5. Construct an ellipse of major axis 80 mm and minor axis 60 mm by concentric circles method.  
 6. Draw the projections of a regular hexagon of 25 mm side, having one of its sides in the HP and inclined at 60 degrees to the VP and its surface making an angle of 45 degrees with the HP.  
 7. An isometric view of an object is given below. Draw its front view, top view and left side view.



- \* 8. A cylinder of base diameter 30 mm and height 60 mm rests on its base on HP. A plane perpendicular to VP and inclined at  $30^\circ$  to HP cuts it through a point 30 mm from the base on the axis. Draw the front view, sectional top view and true shape of the section.
9. Draw the isometric view of the object for the views given below :



10. A pentagonal pyramid of base side 20 mm and height 50 mm stands vertically on its base on HP with one of its base edges parallel to VP. A cutting plane perpendicular to VP and inclined at  $60^\circ$  to HP passes through the edge of the top left corner of the prism. Develop the lateral surface of the truncated pyramid.

\*\*\*