



C14-EC/CHPC/PET-107

4037

BOARD DIPLOMA EXAMINATION, (C-14)

MARCH/APRIL—2017

DECE—FIRST YEAR EXAMINATION

ENGINEERING DRAWING

Time : 3 hours]

[Total Marks : 60

PART—A

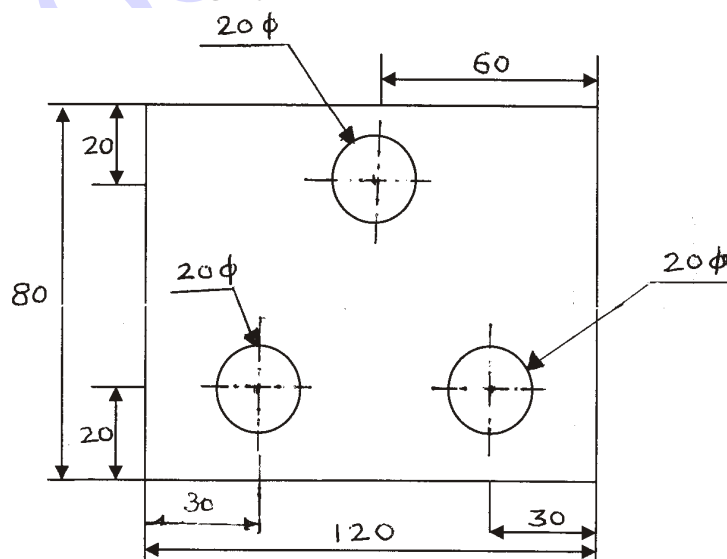
5×4=20

- Instructions :** (1) Answer **all** questions.
(2) Each question carries **five** marks.
(3) Take suitable scale wherever required.
(4) All dimensions are given in mm. Use first angle projection.

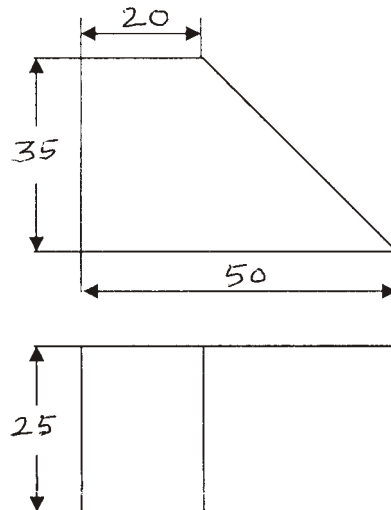
1. Print the following in single-stroke inclined lettering of 10 mm size :

INFORMATION TECHNOLOGY

2. Redraw the following figure to full scale and dimension it using aligned dimensioning system, as per SP-46, 1988 :



- * 3. Draw a tangent to a circle of 40 mm diameter from a point at a distance of 50 mm from the centre of the circle.
4. Draw the auxiliary view of the inclined surface of the object shown in figure :



PART—B

10×4=40

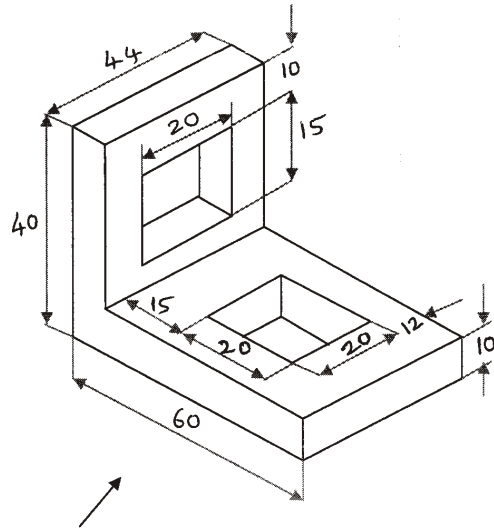
- Instructions :** (1) Answer *any four* questions.
 (2) Each question carries **ten** marks.
 (3) All dimensions are given in mm. Use first angle projection.

5. Draw the cycloid for a given circle of 50 mm diameter.
6. A regular pentagon of 30 mm side has its one side perpendicular to HP and the plane is inclined at 65° to VP. Draw its projections.

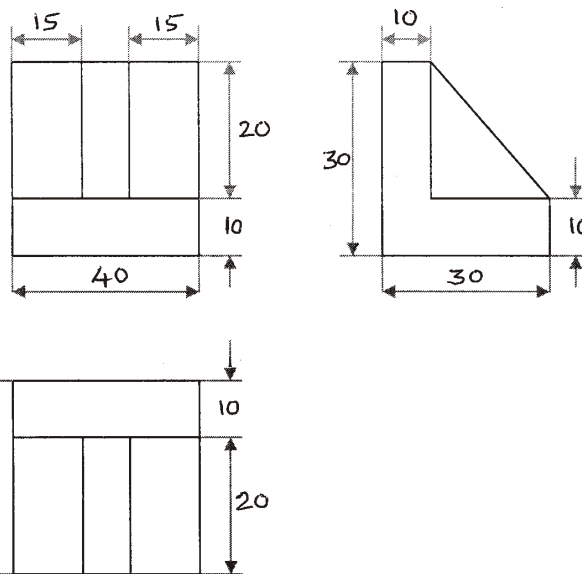
- * 7. A cylinder of base diameter 40 mm and height 60 mm rests on its base on HP. A plane perpendicular to VP and inclined at 30° to HP cuts its axis at a distance 30 mm from base. Draw the front view, sectional top view and true shape of section.

*

8. Draw front view, top view and right-side view of the following block :



9. Draw the isometric drawing of an object whose orthographic projections are given below :



*

10. A hexagonal pyramid with side of base 30 mm and height 75 mm stands with its base on HP and one of its base sides is parallel to VP. It is cut by a plane perpendicular to VP, inclined at 45° to HP and passing through the mid-point of the axis. Draw the development of the truncated pyramid.
