



C20-C-CM-108

7020

BOARD DIPLOMA EXAMINATION, (C-20)

SEPTEMBER/OCTOBER—2021

DCE - FIRST YEAR EXAMINATION

ENGINEERING DRAWING

Time : 3 hours]

[Total Marks : 60

PART—A

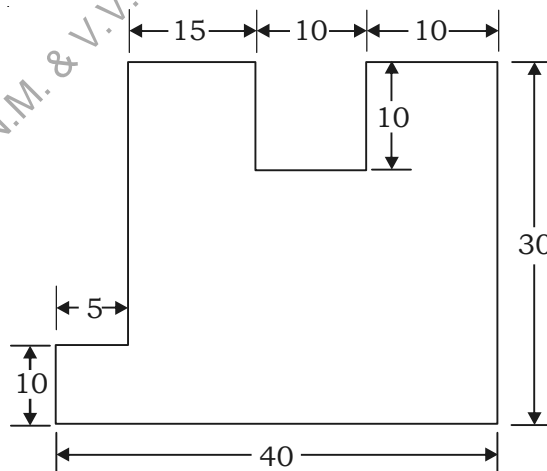
5×4=20

- Instructions :**
- (1) Answer **all** questions.
 - (2) Each question carries **five** marks.
 - (3) **All** dimensions are in mm.

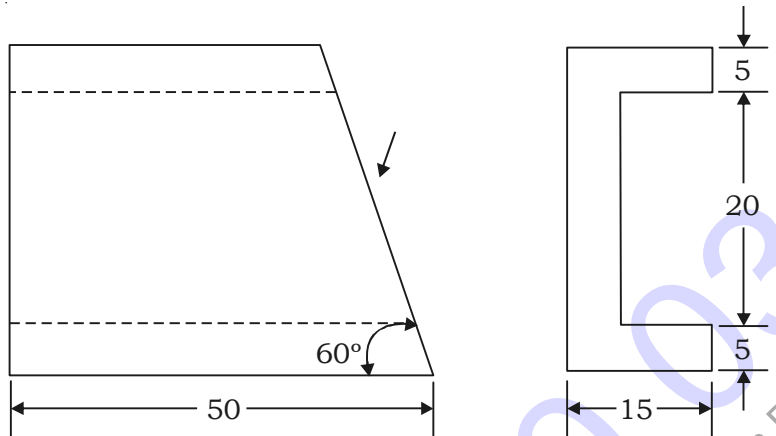
1. Print following in single stroke-vertical lettering of 10 mm size in capital letters :

“ALL DIMENSIONS ARE IN MM”

2. Redraw the following figure to the full scale by correcting the errors in dimensioning as per SP-46 : 1988 :



3. Construct a regular hexagon of 25 mm side using any method.
4. Draw the auxiliary view of the inclined surface of the given views :



PART—B

10×4=40

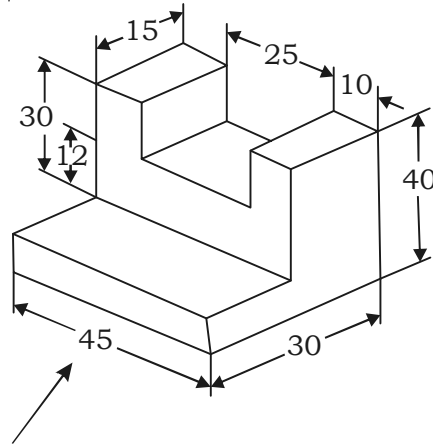
Instructions : (1) Answer *any four* questions.

(2) Each question carries **ten** marks.

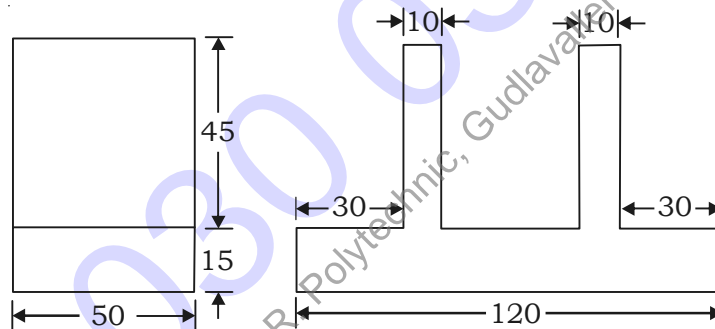
(3) **All** dimensions are in mm.

5. Construct an ellipse of major axis 120 mm and minor axis 70 mm by concentric circles method.
6. A hexagonal pyramid of base 30 mm and height 60 mm rests with its base on HP such that one of the edges of the base is parallel to and 10 mm in front of VP. Draw its projections.
- * 7. A triangular prism with a base side of 50 mm and height 70 mm is resting on one of its rectangular faces on HP with the axis perpendicular to VP. The prism is cut by a horizontal section plane passing through the axis. Draw front view and sectional top view of the prism.

8. Draw the front view, top view and side views of the object shown below.



9. Draw an isometric view of an object whose orthographic views are given in the following figure.



10. Draw the development of lateral surface of a square pyramid which is standing on HP with one of its base edges is parallel to VP. The base of square is 25 mm side and the height of the axis is 40 mm.
