



C14-C/CM-107

4018

BOARD DIPLOMA EXAMINATION, (C-14)

OCT/NOV—2016

DCE—FIRST YEAR EXAMINATION

ENGINEERING DRAWING

Time : 3 hours]

[Total Marks : 60

PART—A

5×4=20

Instructions : (1) Answer **all** questions.

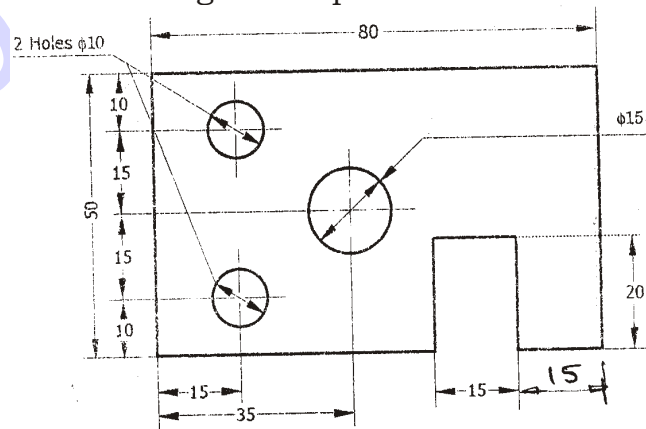
(2) Each question carries **five** marks.

(3) All dimensions are in mm.

1. Print the following in single-stroke 10 mm size vertical lettering :

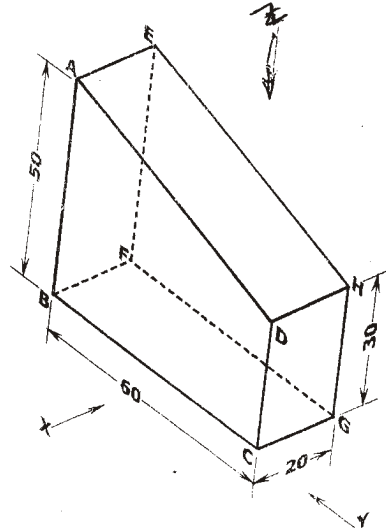
“DRAWING IS THE LANGUAGE OF ENGINEERS”

2. Read the dimensional drawing as shown below. Draw it to full scale and dimension the figure as per SP-46:1988 :



*

3. Draw the tangents to a circle of diameter 40 mm from point P at a distance of 60 mm from the centre.
4. Draw the auxiliary view of the inclined surface of the object as shown in figure below :



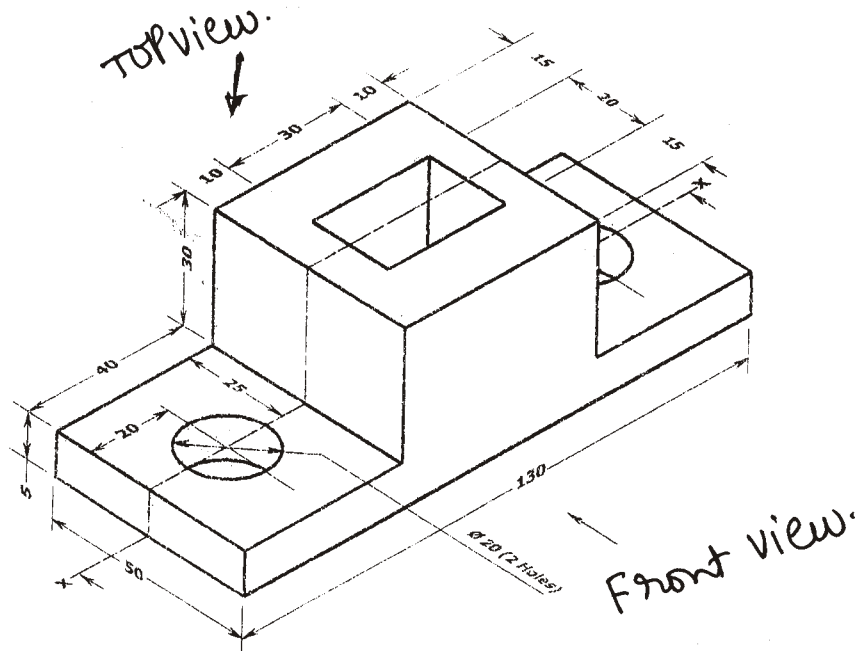
PART—B

10×4=40

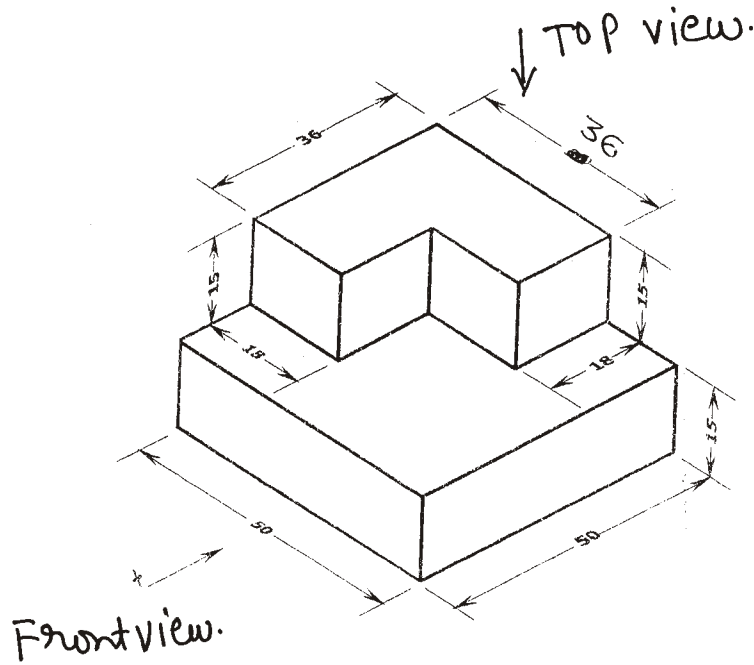
- Instructions :**
- (1) Answer any **four** questions.
 - (2) Each question carries **ten** marks.
 - (3) All dimensions are in mm.

5. Draw an involute to a circle of radius 20 mm.
6. Draw the projections of a cone base 30 mm diameter and axis 50 mm long resting on HP on a point of its base circle with axis making an angle 45° with HP and parallel to VP.

- * 7. Draw sectional front view and top view for the object shown below :

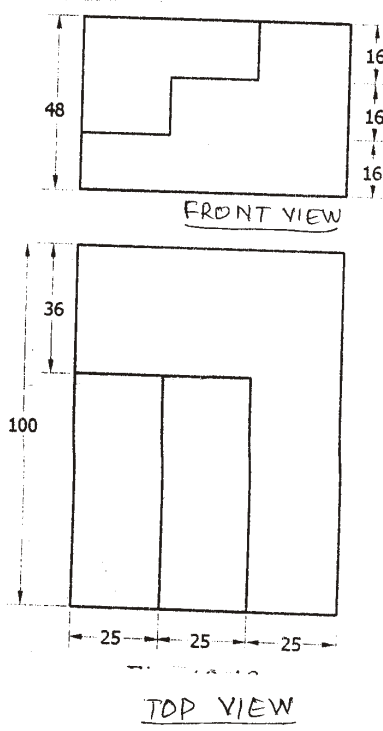


8. Draw orthographic views of front view and top view of the given block below :



*

9. Draw isometric view of the orthographic view given below :



10. Draw the development of an elbow in two pieces at 90° shown below :

