



C-14-C/CM-107

4018

BOARD DIPLOMA EXAMINATION, (C-14)

OCT/NOV—2015

DCE—FIRST YEAR EXAMINATION

ENGINEERING DRAWING

Time : 3 hours]

[Total Marks : 60

PART—A

5×4=20

Instructions : (1) Answer **all** questions.

(2) Each question carries **five** marks.

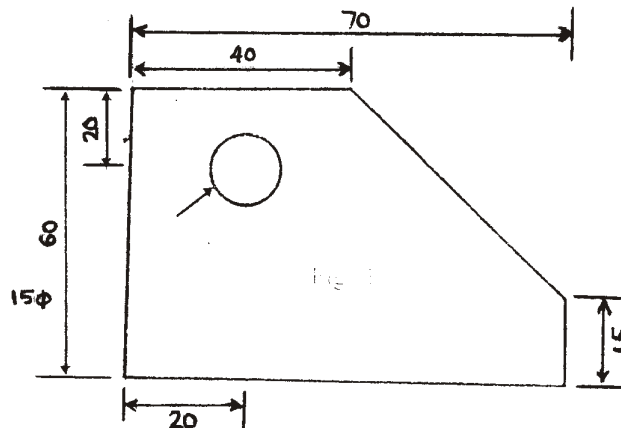
(3) Take suitable scale wherever required.

(4) All dimensions are in mm.

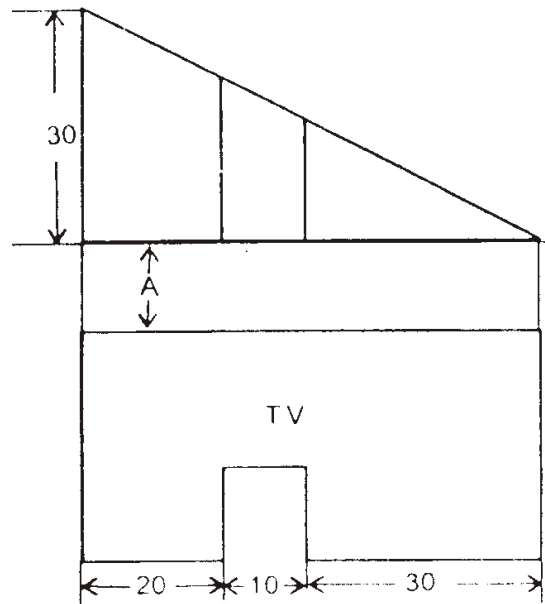
1. Write freehand single-stroke inclined capital letters of 10 mm height :

“DRAWING IS EASY WITH PRACTICE”

2. Redraw the following figure to full scale using chain dimensioning method :



- * 3. A pentagonal prism of base side 30 mm and height of 60 mm is resting on its base in HP having one of its base sides perpendicular to VP. Draw its projections.
4. Draw the auxiliary view of inclined surface of the given object :



PART—B

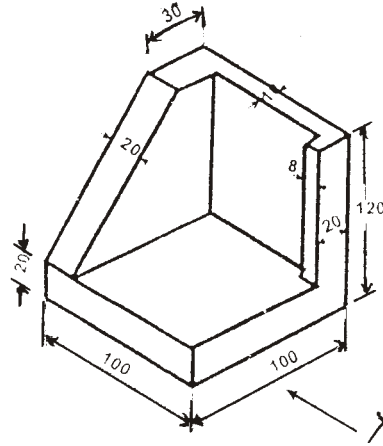
10×4=40

- Instructions :** (1) Answer any **four** questions.
 (2) Each question carries **ten** marks.
 (3) All dimensions are given in mm. Use first angle projection.

- * 5. Construct an ellipse by concentric circles method, if the 80 mm major axis and length of minor axis is 60 mm and also draw a tangent on it 20 mm above the major axis.
6. A pentagonal pyramid size of base 25 mm and axis 50 mm long is resting on one of its faces on HP. Such that its axis is parallel to VP. Draw the projections.

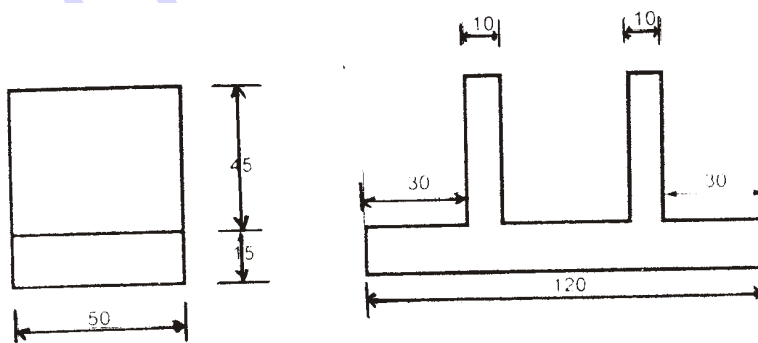
*

7. Draw the orthographic views of the given block (FV, TV, SV). Direction of X indicates front view :



8. A hexagonal prism of size of base 30 mm and axis length 65 mm, rests on HP on one of its bases with two of its rectangular faces parallel to VP. It is cut by a plane perpendicular to VP and inclined at 35° to HP. The cutting plane meets axis at 35 mm from the bottom base. Draw the front view, sectional top view and true shape of the section.

9. Draw the isometric view of the following given orthographic views of a block :



*

10. Draw the development of truncated hexagonal pyramid of side 30 mm and axis 60 mm. It is cut by a cutting plane passing through the centre of the axis, inclined 30° to the HP.
