



C20-A-AEI-CH-CHST-PCT-BM-TT-

IT-MET-MNG-WD-CAI-107

7005

BOARD DIPLOMA EXAMINATION, (C-20)

SEPTEMBER/OCTOBER—2021

FIRST YEAR (COMMON) EXAMINATION

ENGINEERING DRAWING

Time : 3 hours]

[Total Marks : 60

PART—A

5×4=20

- Instructions :**
- (1) Answer **all** questions.
 - (2) Each question carries **five** marks.
 - (3) **All** dimensions are in mm.

1. Write the following in Single -Stroke vertical lettering of size 10 mm in Capital letters.

“DEPARTMENT OF CIVIL ENGINEERING”

2. Redraw the following figure to full-scale and dimension it according to SP : 46-1988 by using aligned system.

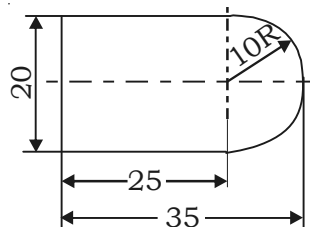


Fig. 1

3. Inscribe a regular hexagon in a circle of 60 mm diameter, by General method.
4. Draw the auxiliary view of the object from given views.

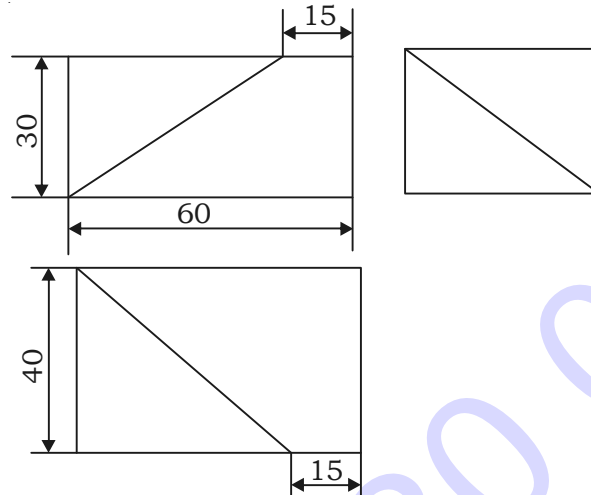


Fig. 2

PART—B

10×4=40

- Instructions :**
- (1) Answer *any four* questions.
 - (2) Each question carries **ten** marks.
 - (3) **All** dimensions are in mm.

5. Draw a helix of cylinder diameter 65 mm and pitch is 85 mm.
6. A square pyramid, with side of base 30 mm and axis 50 mm long, is resting with its base on HP. Draw the projections of the pyramid, when one of its base edges is parallel to VP. The axis of the pyramid is 30 mm in front of VP.
7. A cube of 35 mm long edges, is resting on the ground on one of its bases, with a vertical face inclined at 30° to the VP. It is cut by the section plane inclined at 60° to the VP and perpendicular to the HP so that, the face which makes 60° angle with the VP, is cut in two equal halves. Draw sectional front view and sectional top view.

8. Draw the front view, top view and side view of the given figure.

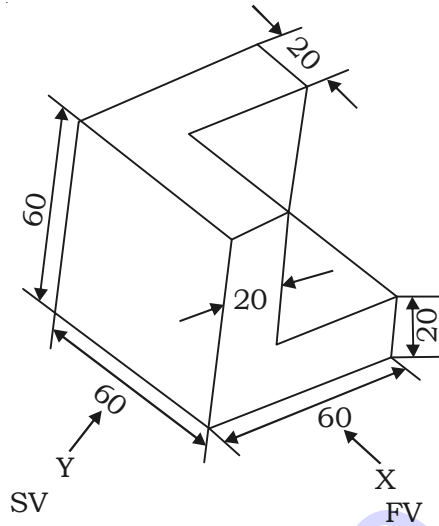


Fig. 3

9. Draw the isometric view of the object for the views given below.

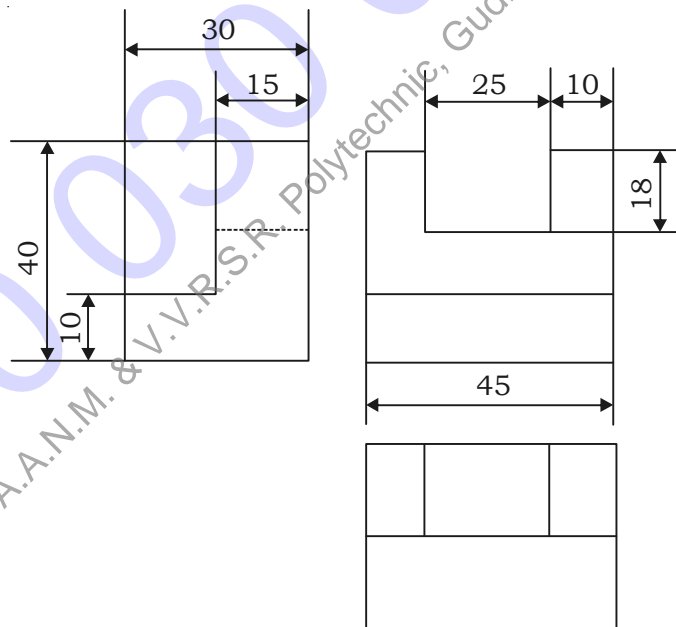


Fig. 4

10. A hexagonal prism of base 30 mm side and height 60 mm is standing on ground with one of its base edges parallel to VP. It is cut by a section plane, inclined at 45° to HP and passing through mid-point of axis of prism. Draw the development of lateral surface.

030 030 030 030
A.A.N.M. & V.V.R.S.R. Polytechnic, Gudlavalleru, Krishna District, Andhra Pradesh

*

*