



C16-A/BM/CH/CHST/AEI/
MNG/MET/TT/IT/PCT-107

6005

BOARD DIPLOMA EXAMINATION, (C-16)
OCT/NOV—2018
FIRST YEAR (COMMON) EXAMINATION

ENGINEERING DRAWING

Time : 3 hours]

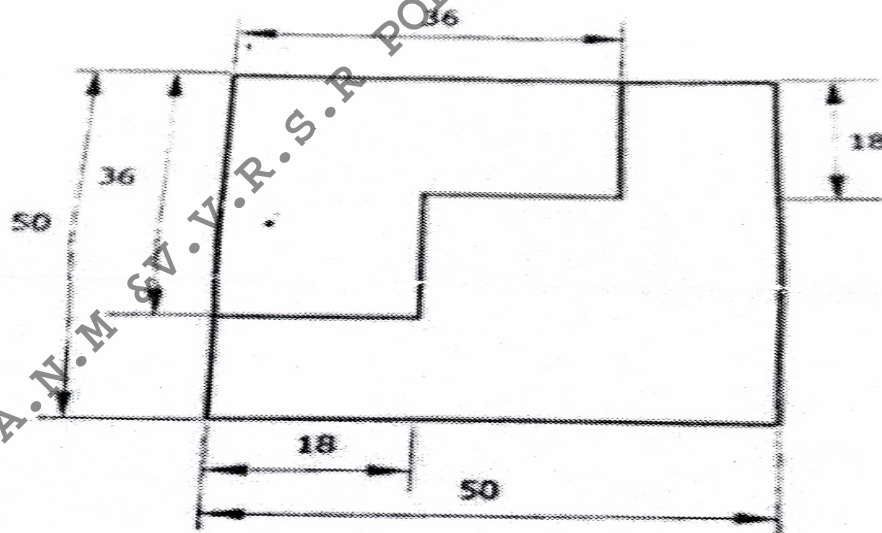
[Total Marks : 60

PART—A

4×5=20

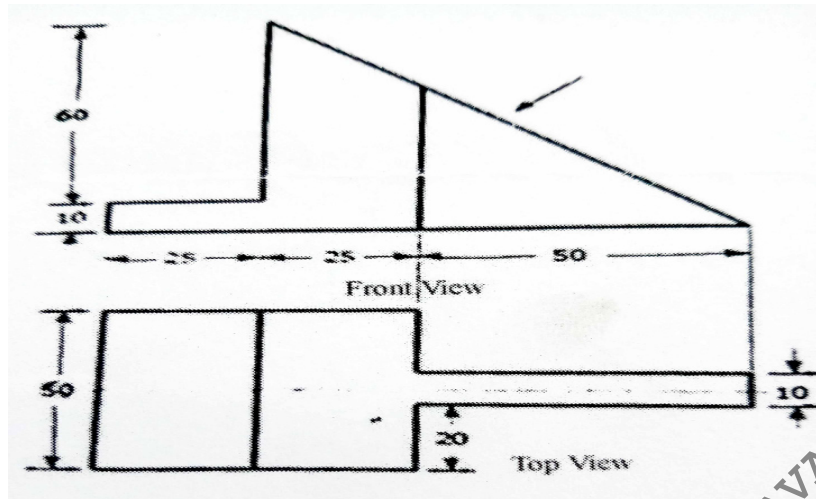
- Instructions :** (1) Answer **all** questions.
(2) Each question carries **three** marks.

1. Print the following in single-stroke vertical lettering of 10 mm size in capital letters. “BOARD DIPLOMA EXAMINATIONS”
2. Redraw the following figure to the full scale by correcting the errors in dimensioning as per SP-46:1988:



3. Construct an internal tangent to two circle whose radii are 30 mm and 20 mm and distance between their centres is 80 mm.

- * 4. Draw the auxiliary view for the inclined surface of the following view.



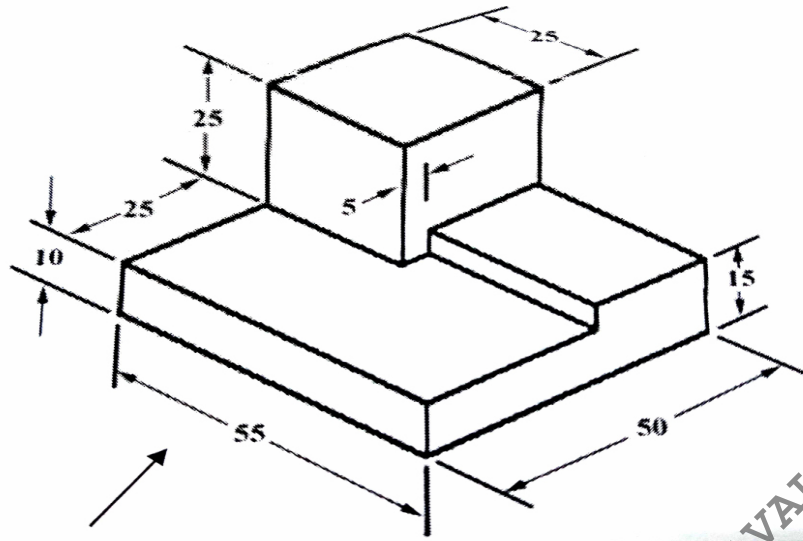
PART-B

10×5=50

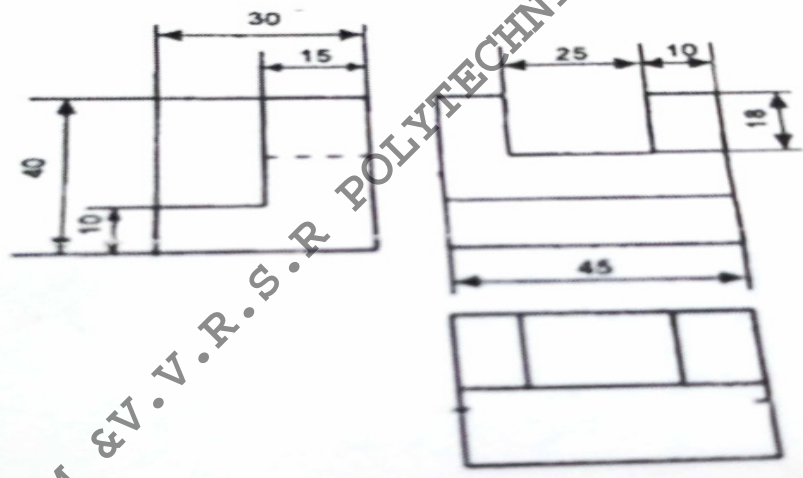
- Instructions :** (1) Answer *any five* questions.
 (2) Each questions carries **ten** marks.
 (3) All dimensions are in mm.

5. A coin of diameter of 40mm rolls on a straight surface. Draw the profile traced by any point on the circumference of the coin.
6. A cylinder of 50mm diameter and height 70mm is lying on the ground with it's axis inclined at 45° to VP and parallel to HP. Draw it's projections.
7. A hexagonal pyramid of base side 30mm and height 75mm is resting on the ground with its axis vertical. It is cut by a plane inclined at 30° to the HP and passing through a point on the axis at 20mm from the vertex. Draw the sectional front view, top view and true shape.

8. Draw the front view, top view and right-hand side view of the object as shown in the figure below:



9. Draw the isometric view of the ribbed angle plate, shown below. All dimensions are in mm and the views are given in first angle.



10. A hexagonal prism of side of base 20mm and height 50mm is standing vertically on HP with its one of rectangular faces parallel to VP, it is cut by a plane which is inclined at 45° to HP, perpendicular to VP and passing through one of the top corners of the prism. Develop the lateral part of the cut prism.

* * *