



C14-A/BM/CH/CHST/AEI/  
MNG/MET/IT/TT/PCT-107

**4005**

**BOARD DIPLOMA EXAMINATION, (C-14)**  
**OCT/NOV—2016**  
**FIRST YEAR (COMMON) EXAMINATION**  
**ENGINEERING DRAWING**

Time : 3 hours ]

[ Total Marks : 60

**PART—A**

5×4=20

**Instructions** : (1) Answer **all** questions.

(2) Each question carries **five** marks.

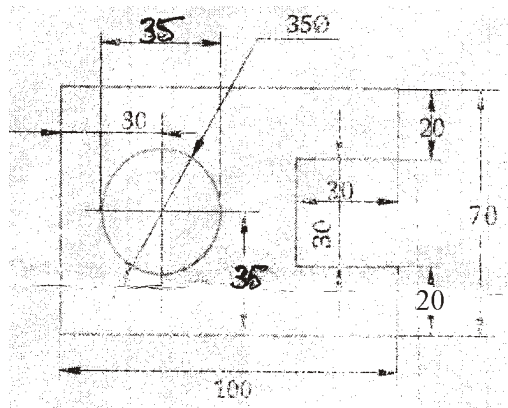
(3) Take suitable scale wherever required.

(4) All dimensions are in mm.

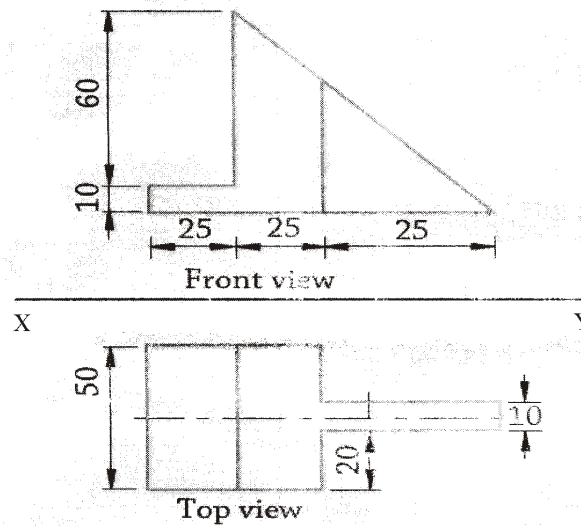
1. Write the following in single-stroke vertical letters of size 10 mm :

“GOVERNMENT OF ANDHRA PRADESH”

2. Draw the following figure and show the dimensions as per SP-46-1988 :



- \* 3. Draw a pentagon of side 30 mm, by general method or semicircle method.
4. Draw the auxiliary view of the inclined surface, for the figure shown below :



**PART—B**

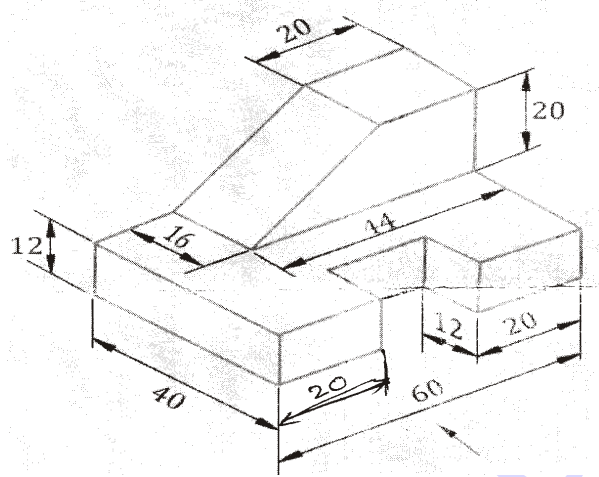
10×4=40

- Instructions :** (1) Answer *any four* questions.  
 (2) Each question carries **ten** marks.  
 (3) All dimensions are in mm.

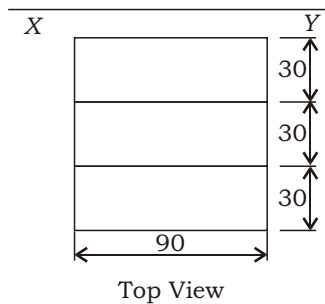
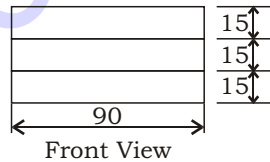
- \* 5. Construct a rectangular hyperbola through a point which is at a distance of 30 mm and 20 mm from the two asymptotes.
6. A pentagonal prism, side of base 25 mm and axis 50 mm long rests on HP with one of its edges such that the base containing that edge makes an angle of  $30^\circ$  to HP and its axis is parallel to VP. Draw its projections.

\*

7. Draw the front view, top view and left-side view of the object shown in the figure below :



8. A pentagonal pyramid of base side 40 mm and height 80 mm is resting on HP on its base with one of its base sides parallel to VP. It is cut by a plane inclined at  $30^\circ$  to HP, perpendicular to VP and is bisecting the axis. Draw its front view, sectional top view and the true shape of section.
9. The front view and top view of an object are shown below. Draw its isometric view :



10. Draw the development of surface of a pentagonal pyramid of base 25 mm and height 60 mm.

\*\*\*